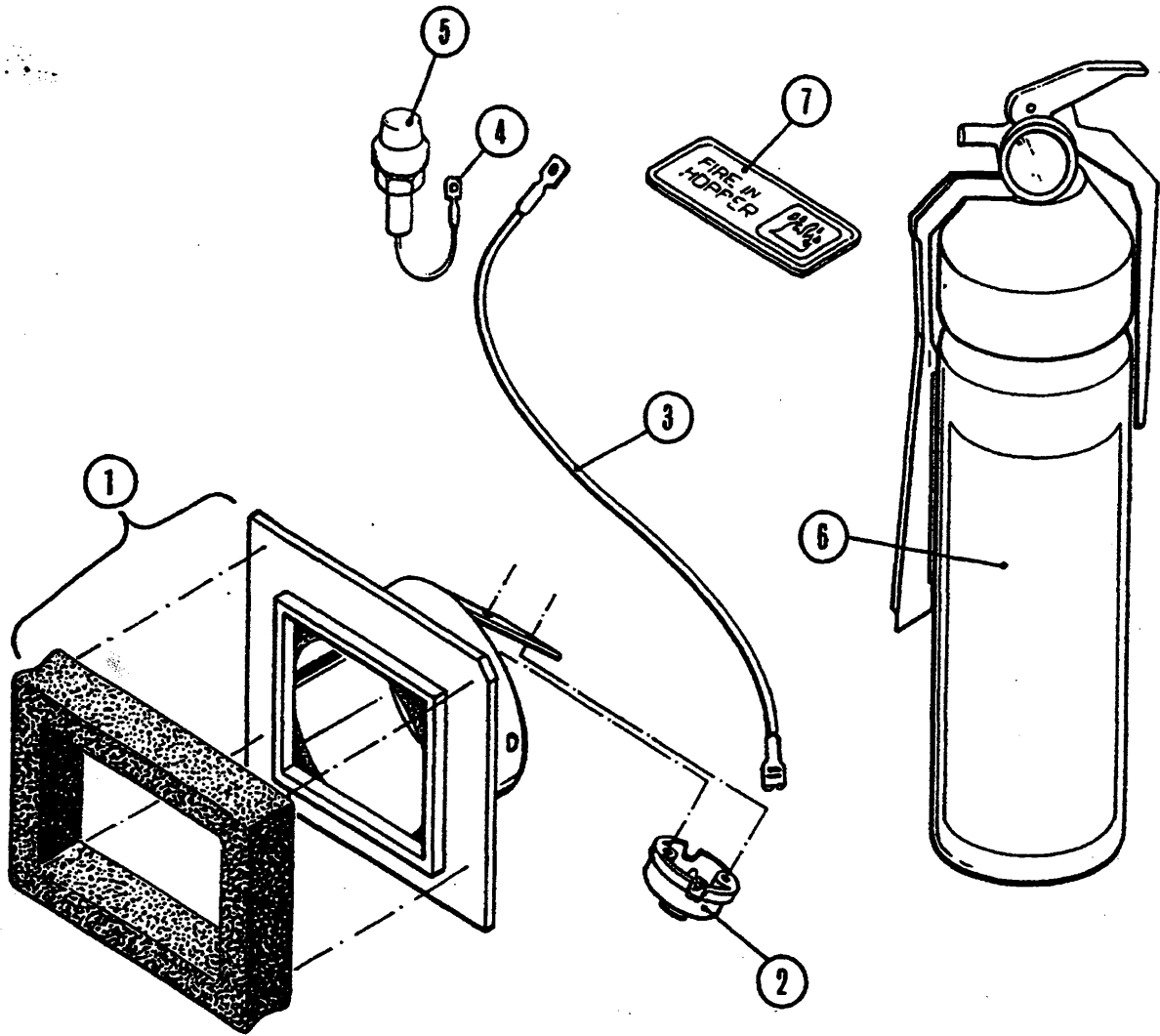




HIGH DUMP HOPPER

REF#	90 SER	80 SER	DESCRIPTION	QUANTITY
1	300125	300099	HOPPER ASSEMBLY	
2	300769	300767	HOOD ASSEMBLY, HOPPER	
3	300121	300114	LID ASSEMBLY, HOPPER	
4	305646	305645	FILTER, DUST CONTROL	
5	300919	300921	BAR, FILTER RETAINER	
6	300917		MOUNT, FILTER SHAKER	
7	300915		RETAINER, SHAKER	
8	300904		MOUNT, NEOPRENE SHAKER (MOTOR)	
9	300424		MOTOR, SHAKER FILTER	
10	300353		KNOB, CLAMPING FILTER RETAINER	
11	300375		GAS, SPRING COVER	
12	300376		STUD, BALL GAS SPRING	
13	300946		HINGE, HOPPER COVER	
14	301155		CLIPNUT, 5/16 - 18	
15	300188	300205	ANGLE, FLAP HOPPER	
16	300195	300194	FLAP, HOPPER FRONT	
17	301146		CLIPNUT, 1/4 - 20	
18	300151		FLAP, HOPPER SIDE	
19	300662		GASKET, LID SHORT	
20	300555		GASKET, LID LONG	
21	300429		GASKET, HOOD SHORT	
22	300428		GASKET, HOOD LONG	
23	300380		LATCH ASSEMBLY, #HTL81	
24	300449		GASKET, FILTER DUST SHORT	
25	300418	300419	GASKET, FILTER DUST LONG	
26	300526		BUMPER, RUBBER ENGINE COVER	
27	301053		WEIGHT, ECCENTRIC	
28	302146		BACKING, HOPPER SIDE CORNER	
29	302033		WIRING HARNESS, HIGH DUMP	
	301368		WIRING HARNESS, LOW DUMP	
30	301668		STRAIN RELIEF	

HOPPER FIRE INDICATOR

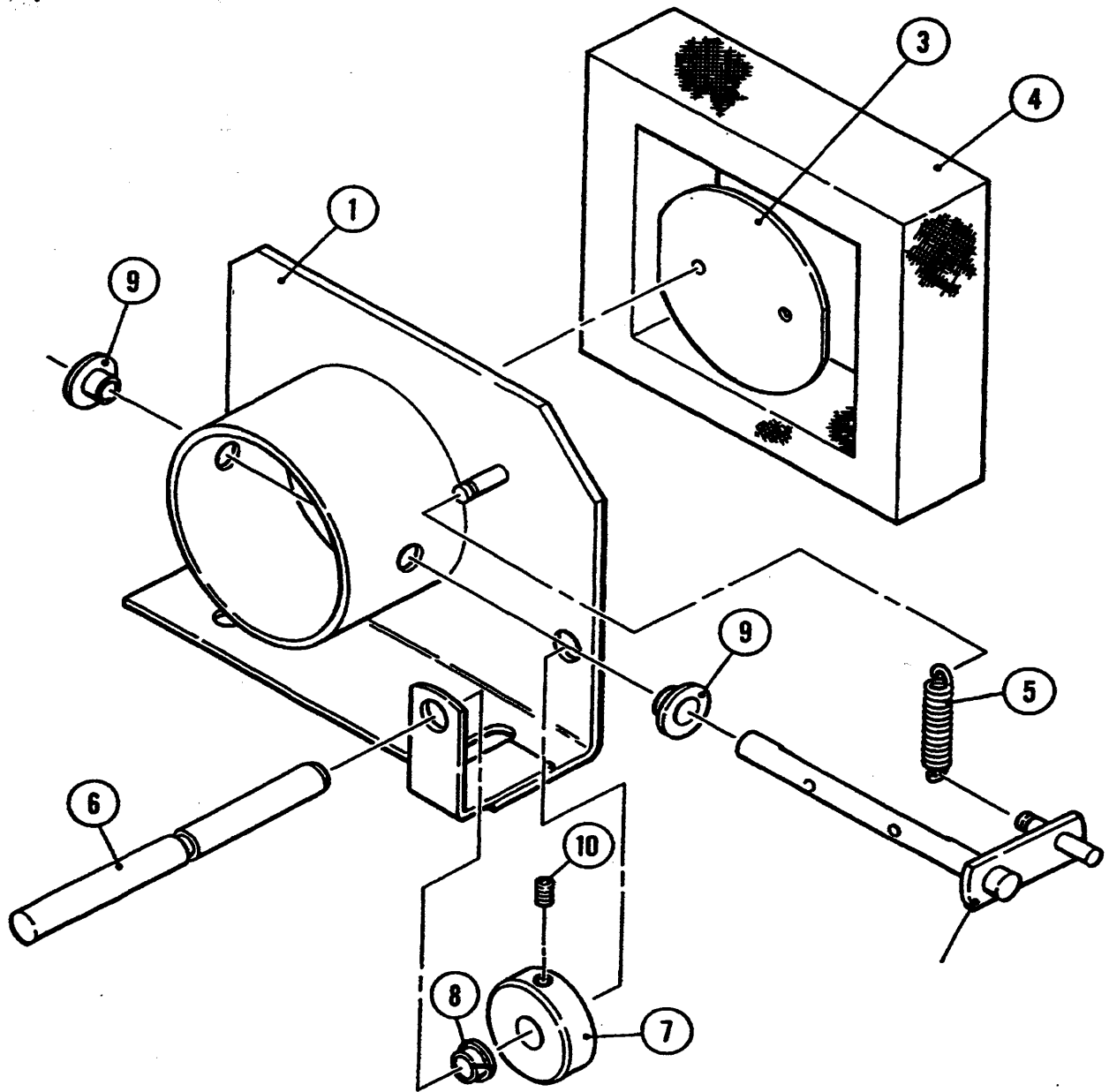




HOPPER FIRE INDICATOR

REF#	90 SER	80 SER	DESCRIPTION	QUANTITY
1	303083		MOUNT ASSEMBLY, FIRE SENSOR	
2	303003		SENSOR, FIRE	
3	303580		WIRING KIT, HOPPER FIRE WARNING	
4	302462		TERMINAL, MALE SNAP PLUG	
5	301553		LIGHT, TRASH RELOCATOR	
6	302769		EXTINGUISHER, FIRE	
7	302521		DECAL, FIRE	

HOPPER SHUTOFF

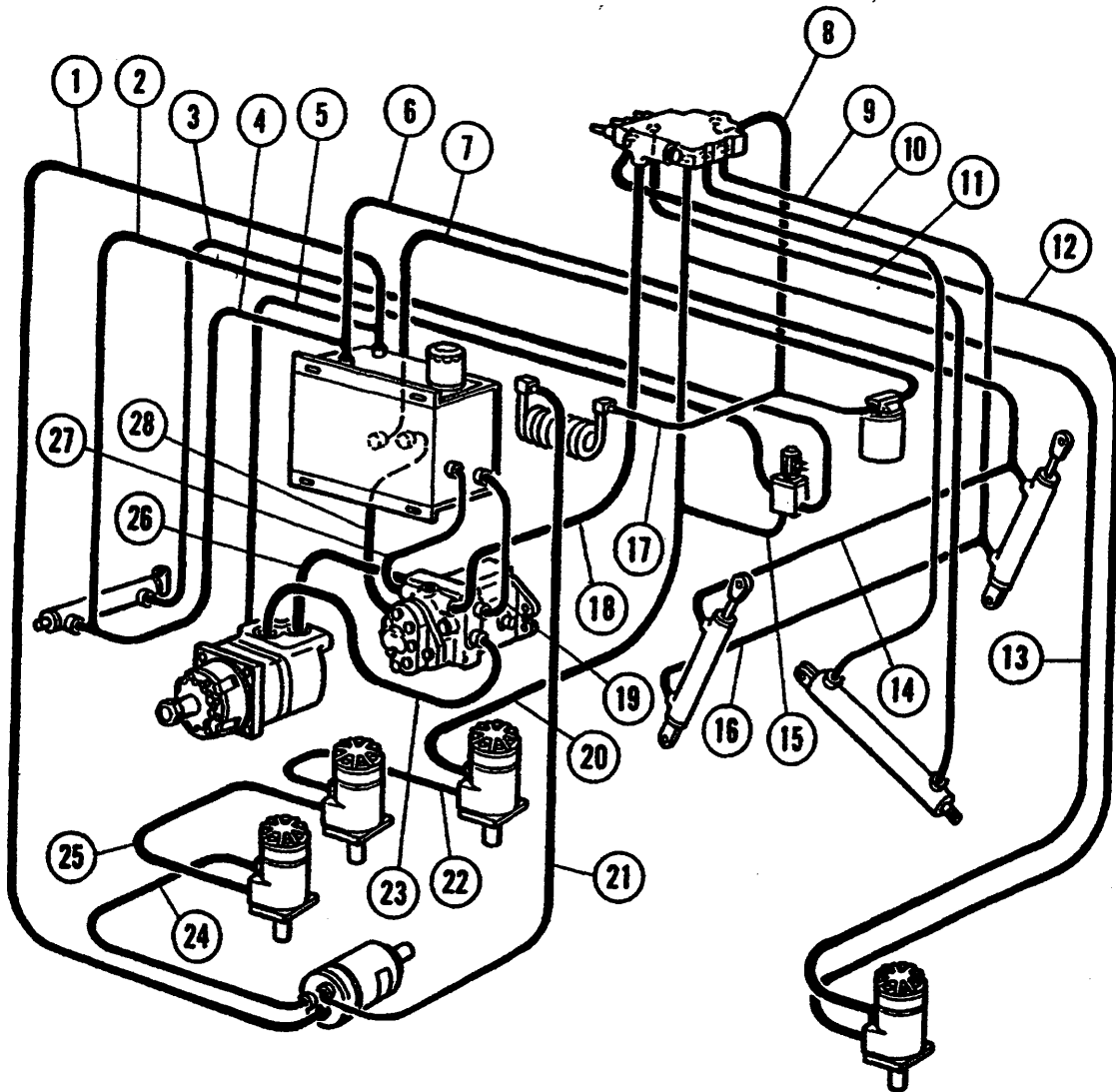




HOPPER SHUTOFF

REF#	90 SER	80 SER	DESCRIPTION	QUANTITY
1	304105		MOUNT ASSEMBLY, GASKET	
2	304104		DAMPER ASSEMBLY	
3	304103		DAMPER, GASKET MOUNT	
4	300193		GASKET	
5	304160		SPRING	
6	304101		ROD, GASKET MOUNT	
7	304097		SPACER, GASKET MOUNT	
8	304017		BUSHING, NYLON	
9	300414		BUSHING, PLASTIC	
10	400341		SCREW, SSCP, #8-32 x .44	

HYDRAULIC HOSES - HIGH DUMP

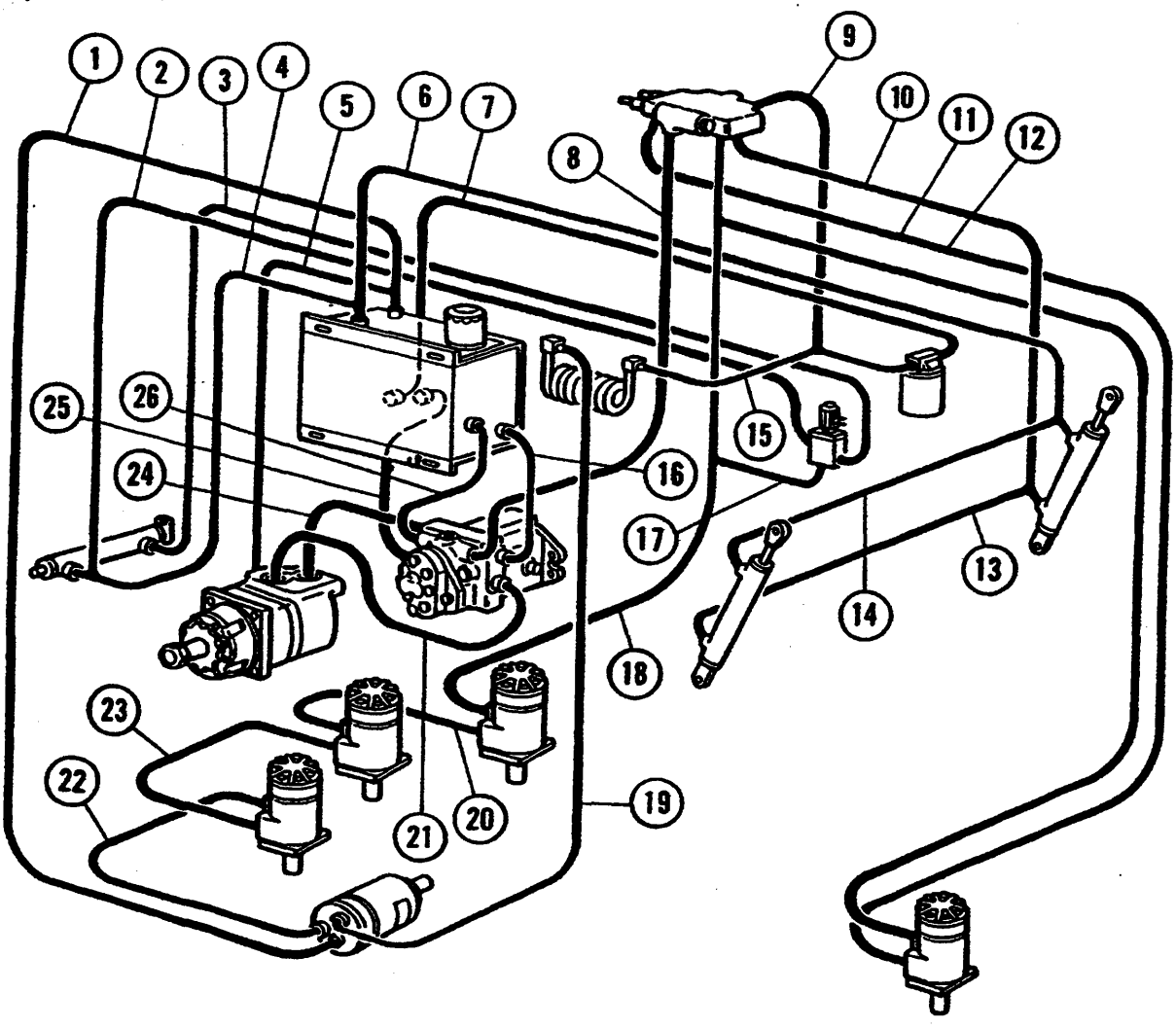




HYDRAULIC HOSES - HIGH DUMP

*To order hydraulic hoses, please give the reference number on the drawing.
Also supply your machine model number, serial number, engine manufacturer,
and any other information which may be helpful to supply the correct part.*

HYDRAULIC HOSES - LOW DUMP





HYDRAULIC HOSES - LOW DUMP

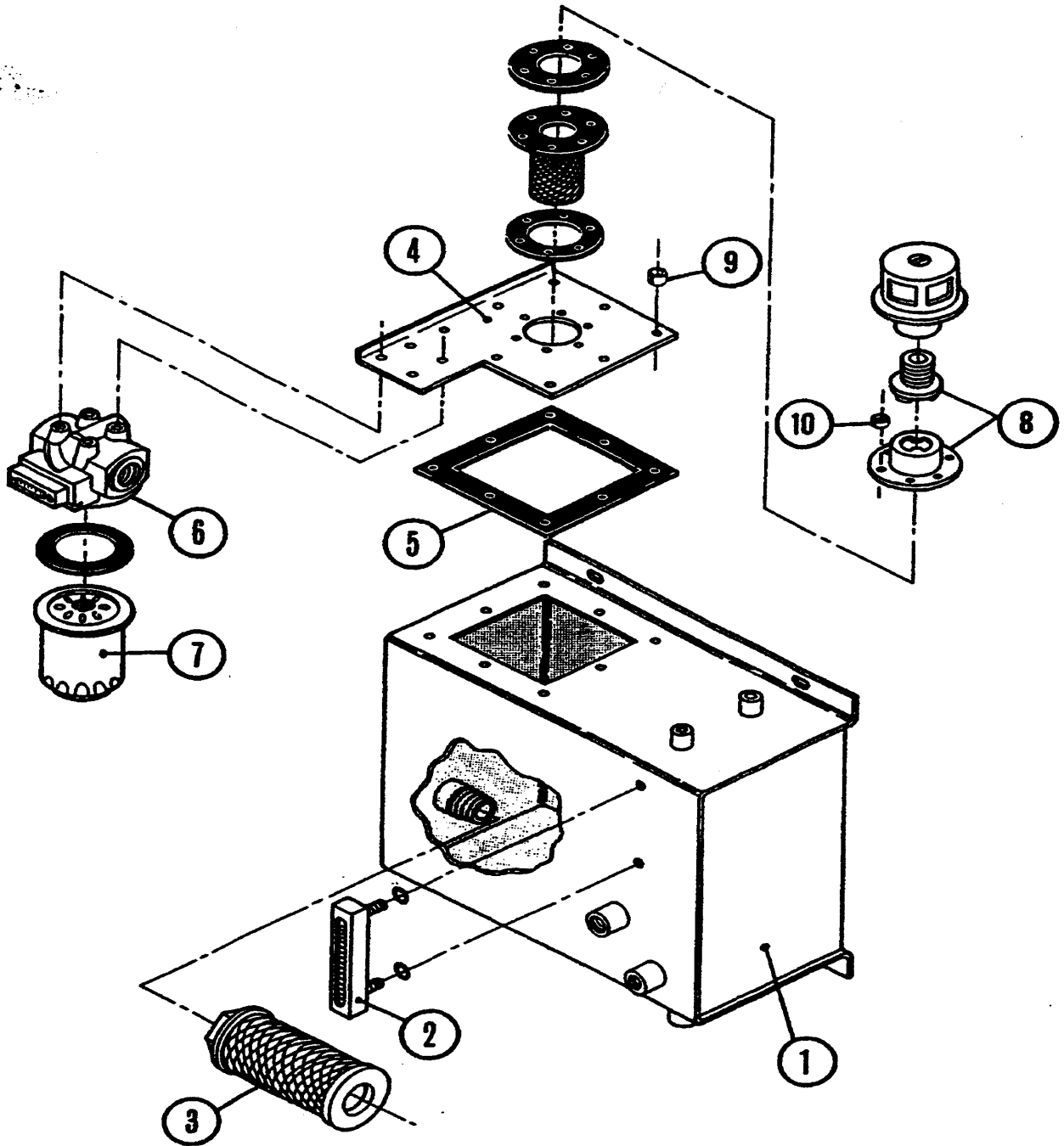
*To order hydraulic hoses, please give the reference number on the drawing.
Also supply your machine model number, serial number, engine manufacturer,
and any other information which may be helpful to supply the correct part.*



HYDRAULIC HOSES - TSS/90 HD HC
W/ POWER STEERING AND HYDRAULIC IMPELLER

***To order hydraulic hoses, please give the reference number on the drawing.
Also supply your machine model number, serial number, engine manufacturer,
and any other information which may be helpful to supply the correct part.***

HYDRAULIC RESERVOIR

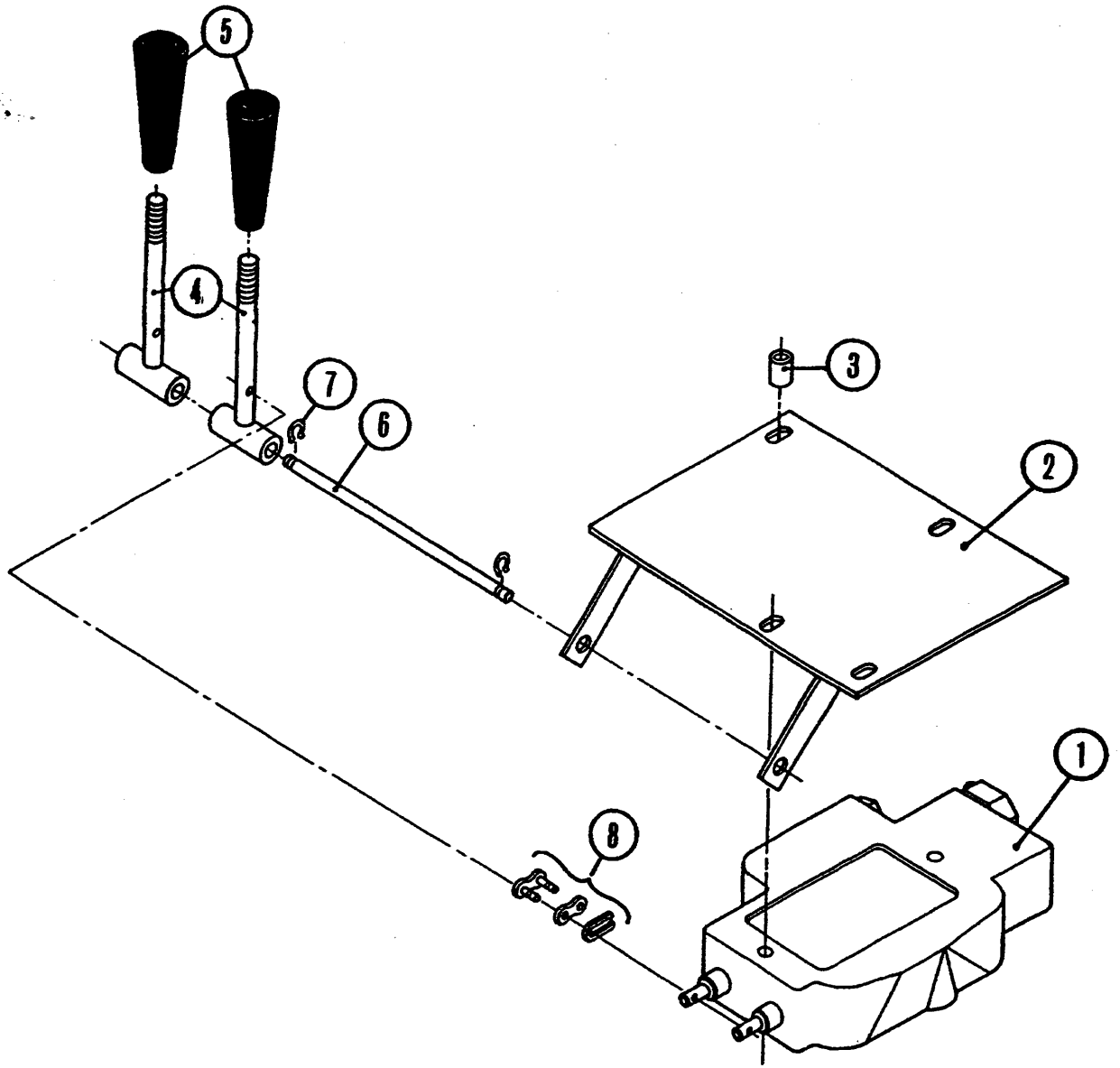




HYDRAULIC RESERVOIR

REF#	90 SER	80 SER	DESCRIPTION	QUANTITY
1	300001		RESERVOIR ASSEMBLY, HYDRAULIC	
	304831		RESERVOIR ASSEMBLY, HYDRAULIC	
2	300366		GAUGE, LEVEL HYDRAULIC RESERVOIR	
3	300360		STRAINER, HYDRAULIC RESERVOIR	
4	300020	302372	COVER, RESERVOIR	
5	300007		GASKET, HYDRAULIC RESERVOIR	
6	300358		FILTER ASSEMBLY, HYDRAULIC	
7	300359		FILTER, HYDRAULIC	
8	305576		FILTER/BREATHER ASSEMBLY	
9	302249		SPACER, NYLON	
10	302248		SPACER, NYLON	

HYDRAULIC VALVE

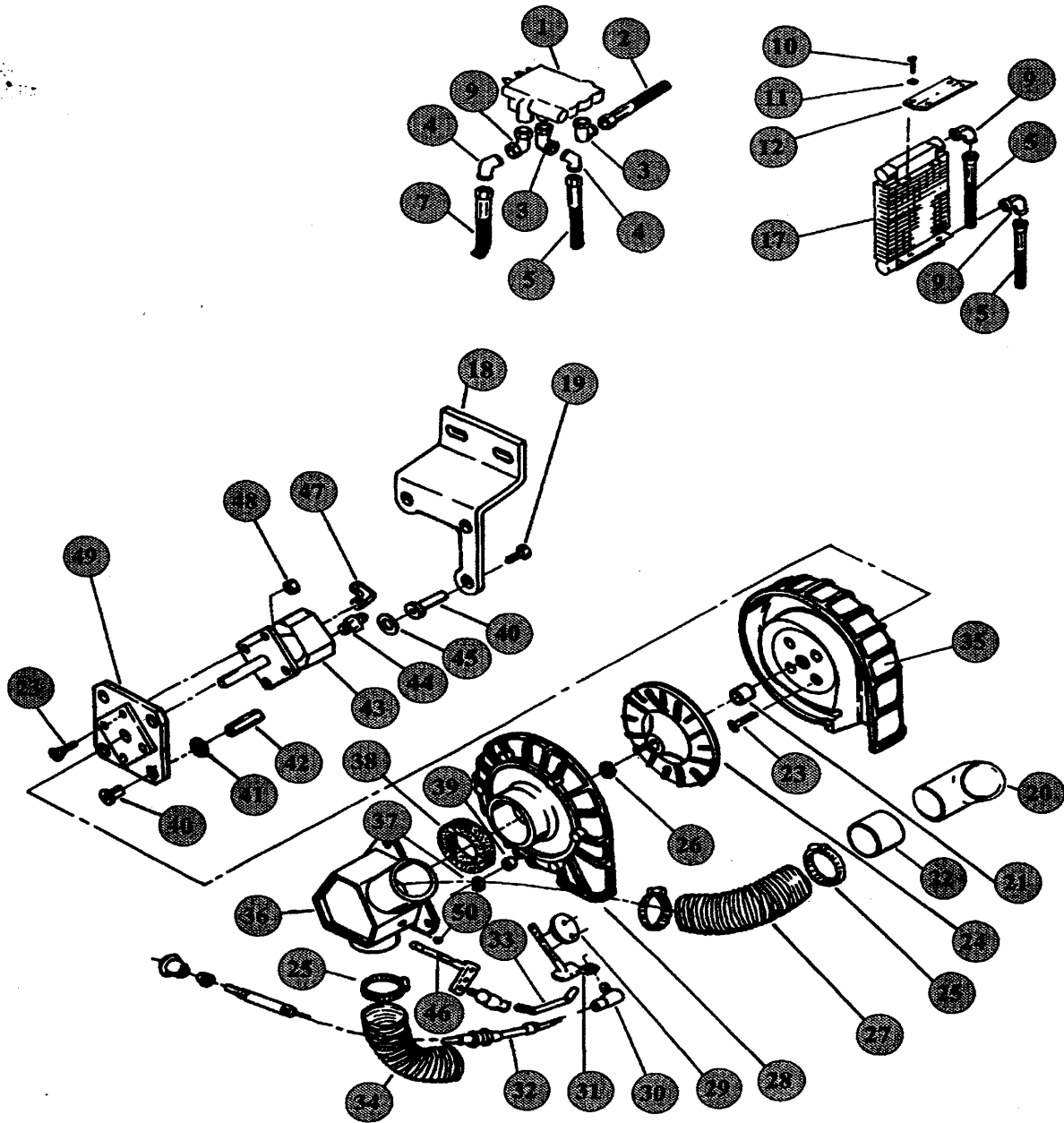




HYDRAULIC VALVE

REF#	90 SER	80 SER	DESCRIPTION	QUANTITY
1			VALVE ASSEMBLY, HYDRAULIC	
	300357		ALL TSS HIGH DUMP 3-SPOOL	
	300356		ALL ISS UNITS 2-SPOOL	
	300355		ALL CSS UNITS 1-SPOOL	
2	300743		MOUNT ASSEMBLY, VALVE	
3	300883		SPACER, CONTROL VALVE	
4	300070		LEVER ASSEMBLY	
5	300558		KNOB	
6	300884		ROD, PIVOT CONTROL VALVE	
7	300548		RING, RETAINING	
8	300547		LINK ASSEMBLY, CONNECTING	

IMPELLER - HYDRAULIC

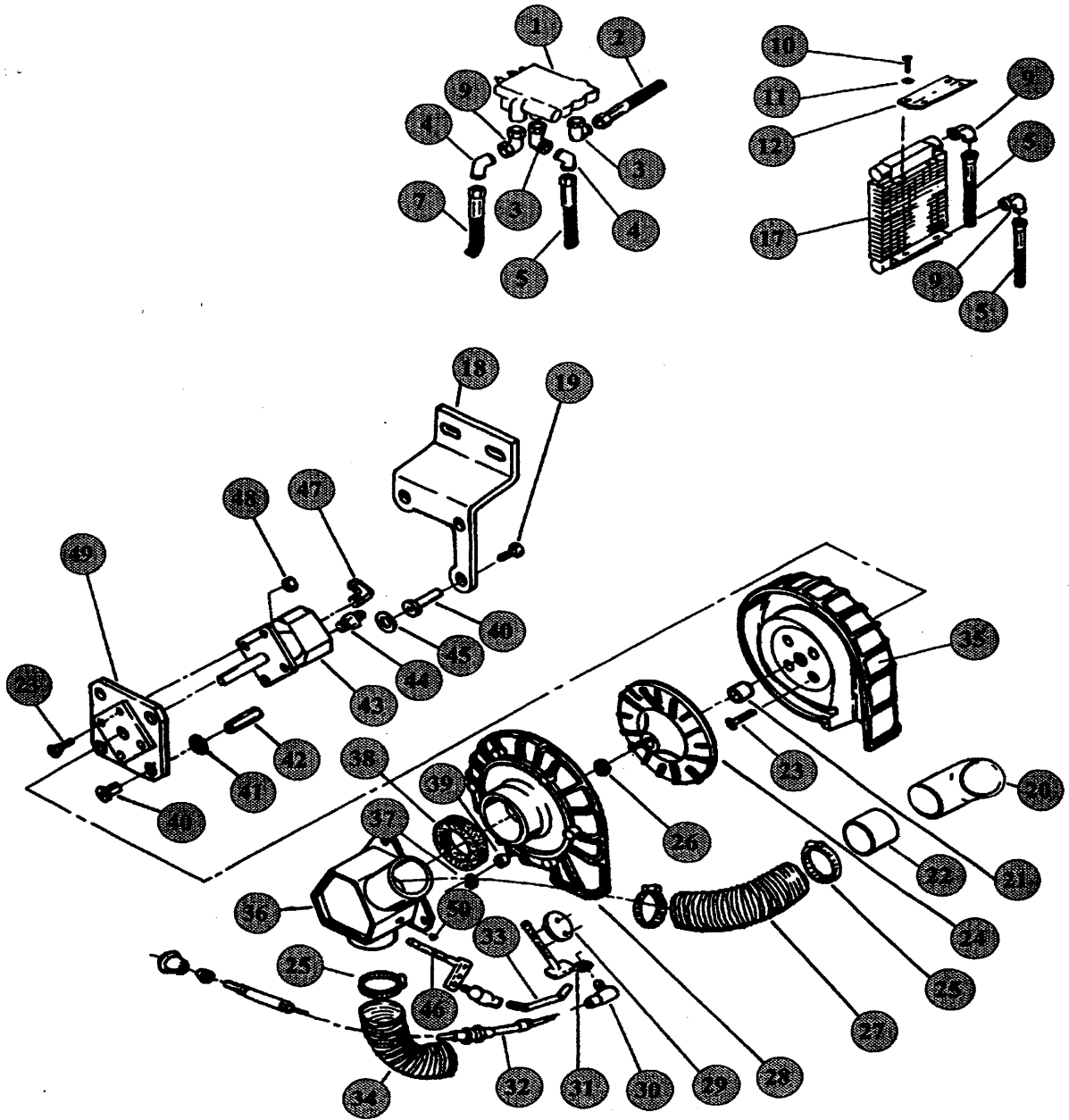




IMPELLER - HYDRAULIC

REF#	PART#	DESCRIPTION	QUANTITY
1	317238	VALVE - CONTROL 1 SPOOL HYD IMP	1
2	300616	HOSE - HYD FILTER TO RESERVOIR	1
3	400155	FTG - 90 7/8-14 TO #8	2
4	400244	FTG - SWIVEL 90 EL #8 JIC	2
5	300604	HOSE - HYD FILTER TO RESERVOIR	3
7	300606	HOSE - HYD AUX PUMP TO VALVE	1
9	400154	FTG - 90 3/4-16 TO #8	3
10	400042	SCREW - HEX 1/4-20 X .75	4
11	400383	WASHER - CONICAL SPRING 1/4	4
12	306825	MOUNT - COOL COIL HYD IMP PNTD	1
17	306740	COOLER - HYD OIL IMPELLER	1
18	306822	MOUNT - HYDRAULIC IMPELLER PNTD	1
19	400262	SCREW - HEX 3/8-24 X 1.25 ZP F'THD	3
20	305745	ADAPTER - 90 EL RUBBER 4.0 ID	1
21	306827	SPACER - HYDRAULIC IMPELLER	1
22	305750	TUBE - IMPELLER HOSE HI-CAP	1
23	400381	SCREW - FLT 3/8-24 X 1.75 SOC ZP CS	4
24	300133	IMPELLER - CASTING & MACHINED	1
25	300351	CLAMP - HOSE 4.0 DIA	3
26	400062	NUT - ACORN 1/2-20 ZP	1
27	300349	HOSE - IMPELLER TO TANK	1
28	300139	SHROUD - OUTER CASTING & MACHINE	1
29	301498	DAMPER - HOPPER SHUTOFF PLTD	2
30	301459	BALL JOINT - #10-32 ZP	3
31	301434	ASSY - IMP SHUTOFF ARM PLTD	1
32	301427	CABLE - IMPELLER STOP	1
33	301626	ROD - IMPELLER SHUTOFF PLTD	1
34	304511	HOSE - IMPELLER 3.5 ID TAPERED	1
35	306841	ASSY - SHROUD INNER WD HYD IMP	1
36	301223	ASSY - IMPELLER MANIFOLD SC PNTD	1
37	301622	RETAINER - IMPELLER SHUTOFF PLTD	1
38	301383	GASKET - IMPELLER MANIFOLD	1
39	301793	SPACER - BRACKET IMP PLTD	1
40	300465	MOUNT - ISOLATION	7
41	400278	WASHER - FENDER 3/8	10

IMPELLER - HYDRAULIC (CONT.)

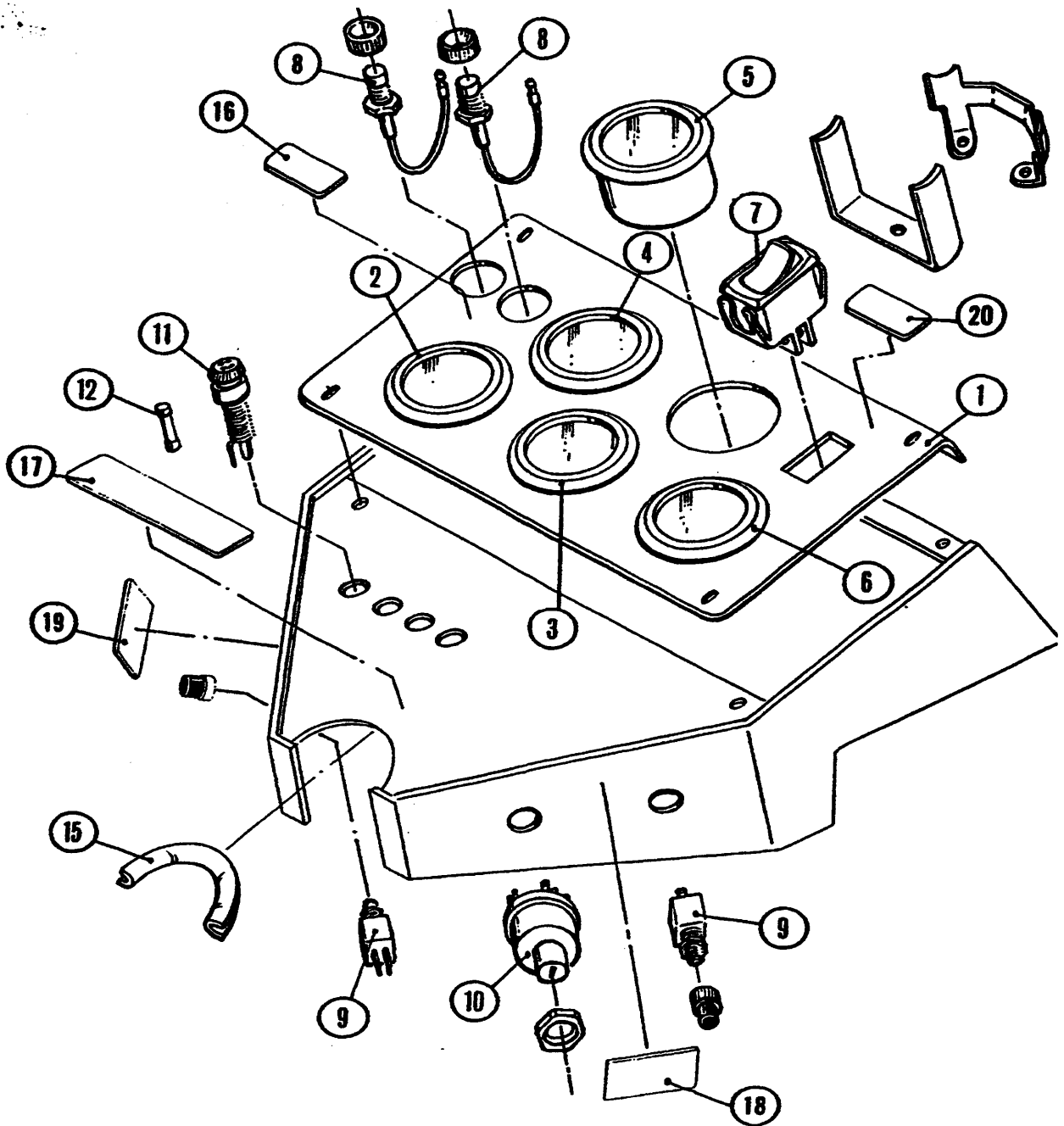




IMPELLER - HYDRAULIC (CONT.)

REF#	PART#	DESCRIPTION	QUANTITY
42	306826	STAND/OFF - 3/8-16 X 1.38 PNTD	3
43	306738	MOTOR - HYD IMPELLER SCRUBBER	1
44	400151	FTG - STR 7/8-14 TO #8	1
45	400087	WASHER - FLAT 3/8 STANDARD ZP	10
46	301455	ASSY - IMP SHUTOFF ARM BTM PLTD	1
47	400155	FTG - 90 7/8-14 TO #8	1
48	400070	NUT - HEX 5/16-18 ZP	4
49	307152	ASSY - IMP MOTOR MNT SW/A PNTD	1
50	300526	BUMPER - RUBBER 1/4 ID X 1/8 THK	1
	306842	ASSY - IMP HYD SUB FS TSS/ISS	1
	300414	BUSHING - PLASTIC MN BRM	4
	400212	FTG - ADAPTER 7/16-20 TO #4	1
	300344	KEY - 1/8 SQUARE X .75	1
	400072	NUT - HEX #10-32 ZP	3
	400082	NUT - HEX #8-32 ES ZP	4
	400180	NUT - HEX 1/4-28 ZP	3
	400067	NUT - HEX 3/8-24 ZP	1
	400349	SCREW - FLT 5/16-18 X 1 SLT SS	3
	400043	SCREW - HEX 1/4-20 X .5 ZP	3
	400045	SCREW - PAN #8-32 X .62 SLT ZP	4
	400316	SCREW - SOC #10-24 X .5 ZP	2
	400147	SCREW - SOC #10-24 X .75 ZP	2
	400171	SCREW - SOC #10-24 X .75 ZP	1
	400050	SCREW - SOC #10-24 X 1.25 ZP	4
	400103	WASHER - 1/4 SPLIT ZP	3
	400089	WASHER - FLAT 1/4 STANDARD ZP	3
	400104	WASHER - LOCK #10 SPLIT ZP	9
	400098	WASHER - LOCK 1/2 SPLIT ZP	1
	400101	WASHER - LOCK 3/8 SPLIT ZP	4
	400102	WASHER - LOCK 5/16 SPLIT ZP	4

INSTRUMENT PANEL

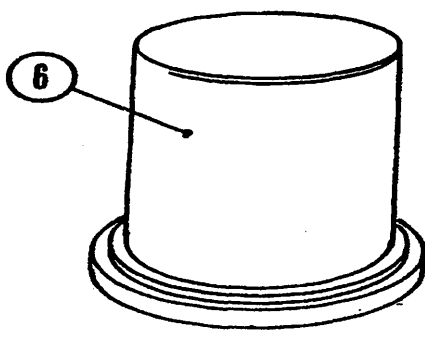
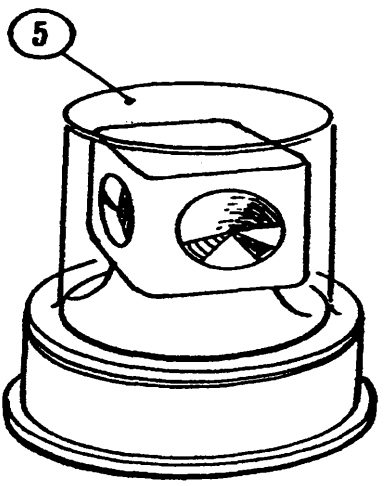
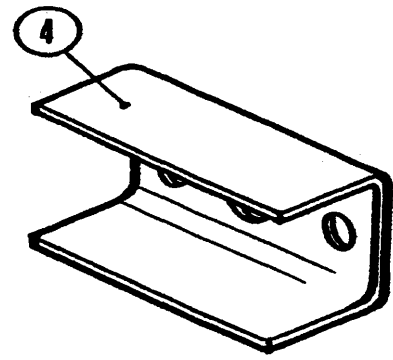
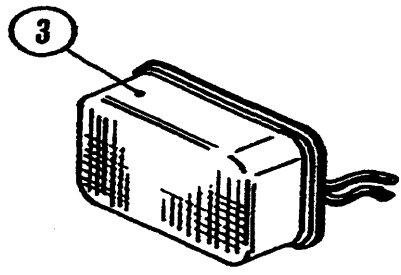
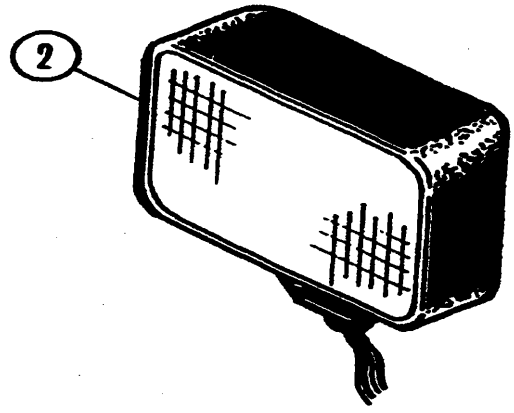
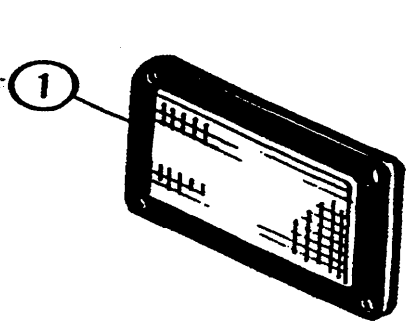




INSTRUMENT PANEL

REF#	90 SER	80 SER	DESCRIPTION	QUANTITY
1	300860		PANEL, INSTRUMENT	
2	300381		GAUGE, AMMETER	
3	300382		GAUGE, FUEL	
4	300383		GAUGE, OIL PRESSURE	
5	300384		GAUGE, WATER TEMPERATURE	
6	300385		GAUGE, HOUR METER	
7	300442		SWITCH, ROCKER, (LIGHTS)	
8	301553		LIGHT, TRASH RELOCATOR	
9	300441		SWITCH, MOMENTARY	
10	300443		SWITCH, IGNITION	
11	300444		HOLDER, FUSE	
12	300445		FUSE, 30 AMP	
13	300446		FUSE, 15 AMP (NOT SHOWN)	
14	300447		FUSE, 20 AMP (NOT SHOWN)	
15	301165		EDGING, STEERING COLUMN	
16	302517		DECAL, RTR LIGHTS	
17	302522		DECAL, FUSE	
18	302525		DECAL, HORN	
19	302520		DECAL, FILTER SHAKER	
20	302524		DECAL, LIGHT (OPTIONAL)	

LIGHTS

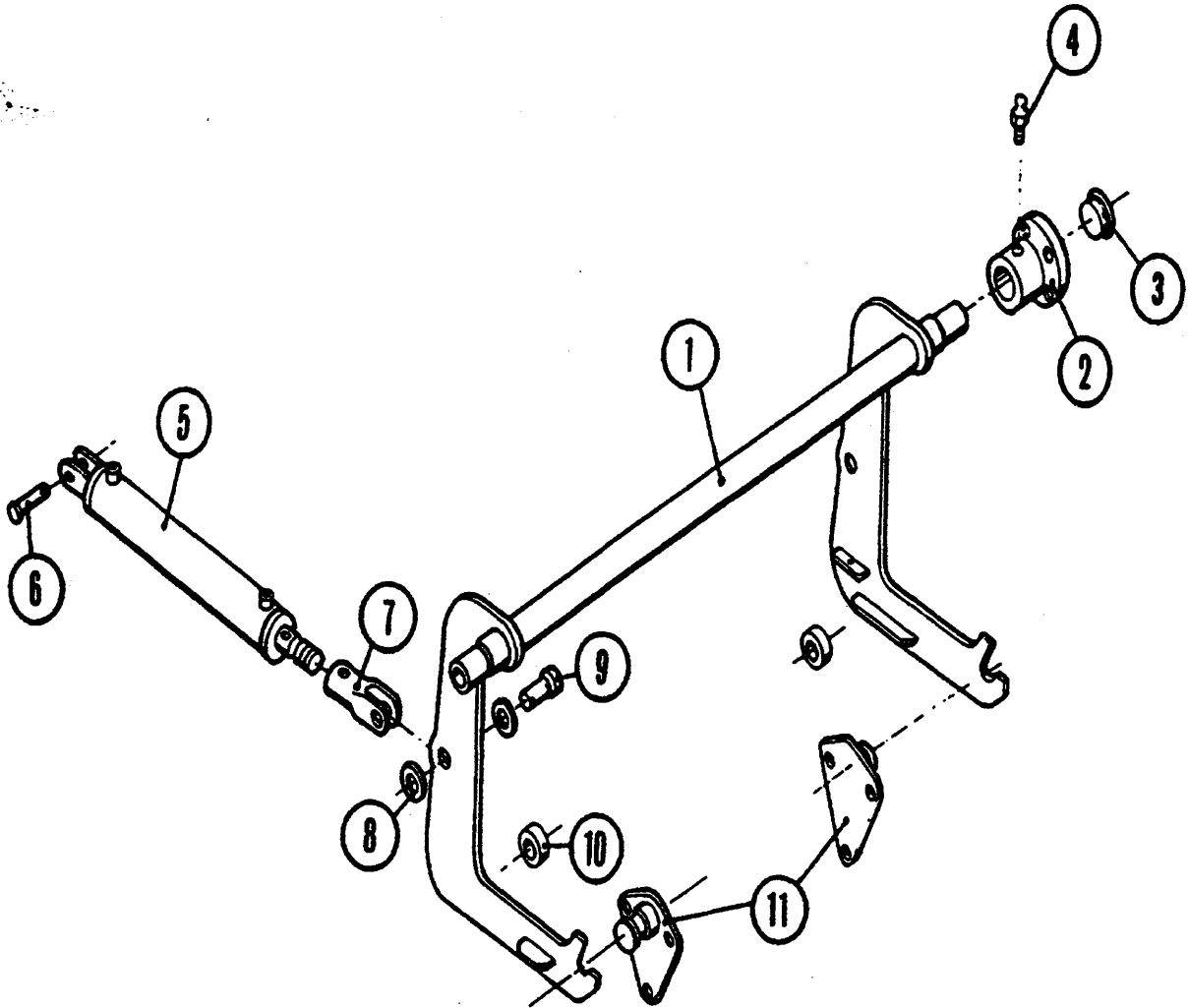




LIGHTS

REF#	90 SER	80 SER	DESCRIPTION	QUANTITY
1	301359		HEADLIGHT, FLUSH MOUNT	
2	301360		HEADLIGHT, STUD MOUNT	
3	303204		LIGHT, TAIL/COMBINATION	
4	303206		BRACKET, TAIL LIGHT GUARD	
5	302654		LIGHT, EMERGENCY ROTATING AMBER	
	302626		LIGHT, EMERGENCY ROTATING BLUE	
	301347		LIGHT, EMERGENCY ROTATING RED	
6	301816		LIGHT, EMERGENCY FLASHER RED	
	302627		LIGHT, EMERGENCY FLASHER AMBER	
	302628		LIGHT, EMERGENCY FLASHER BLUE	
	302630		LIGHT, SAFETY BLUE STROBE	
	302629		LIGHT, SAFETY RED STROBE	
	301817		LIGHT, SAFETY AMBER STROBE	

LOW DUMP ARM ASSEMBLY

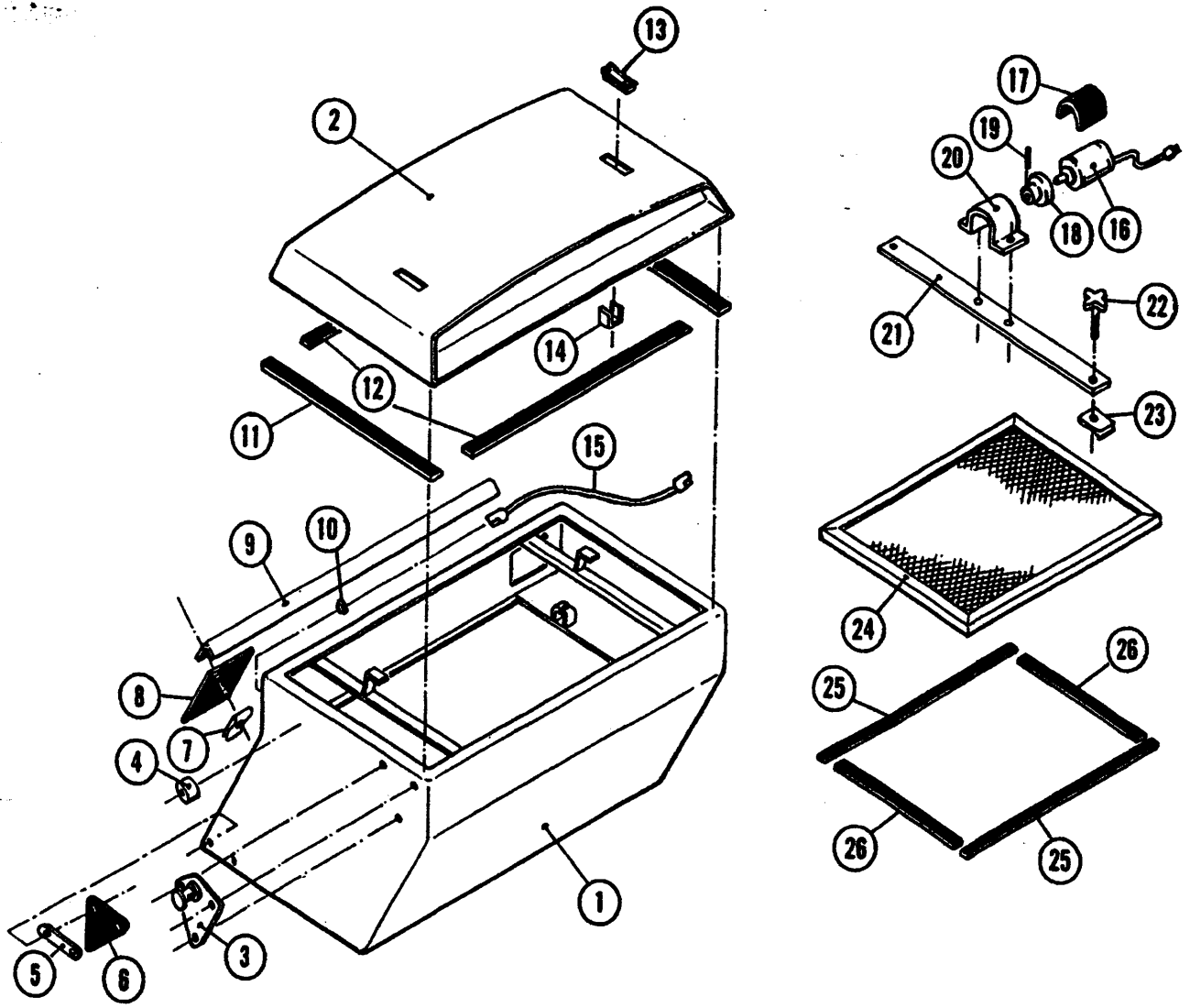




LOW DUMP ARM ASSEMBLY

REF#	90 SER	80 SER	DESCRIPTION	QUANTITY
1	300294	300104	ARM ASSEMBLY, LIFT (LD)	
2	301075		MOUNT, DUMP ARM	
3	301420		SPACER, DUMP ARM MOUNT	
4	400012		FITTING, GREASE, 3/16"	
5	300068		CYLINDER, HYDRAULIC (LD)	
6	400110		PIN, CLEVIS, 7/8 x 2.00	
7	301370		CYLINDER, CLEVIS (LD)	
8	301416		SPACER, LIFT CYLINDER, CLEVIS	
9	400107		PIN, CLEVIS, 1.00 x 2.62	
10	300028		BAR, STOP HOPPER	
11	300096		LIFT BRACKET ASSEMBLY, HOPPER	

LOW DUMP HOPPER

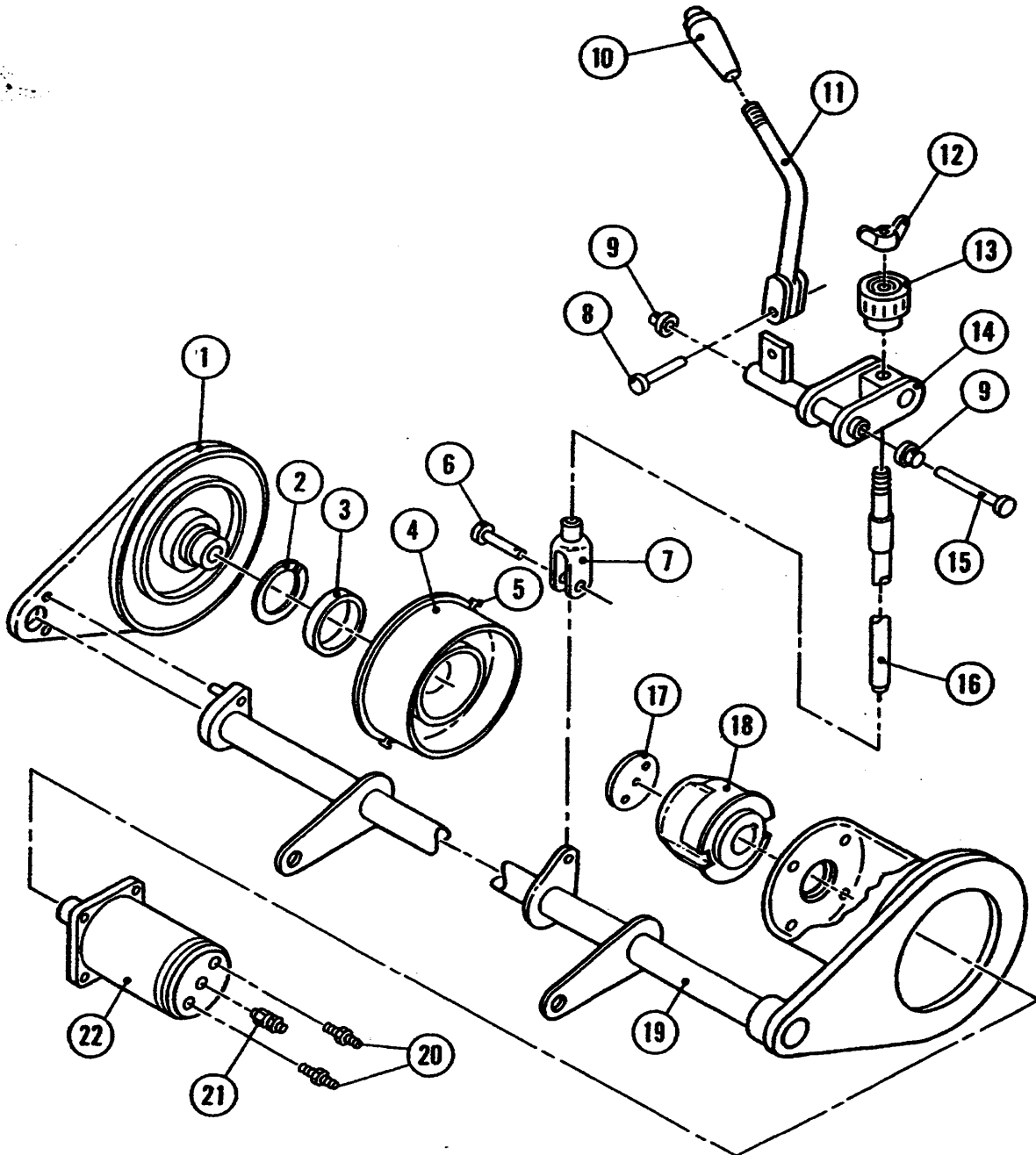




LOW DUMP HOPPER

REF#	90 SER	80 SER	DESCRIPTION	QUANTITY
1	301009	301007	HOPPER ASSEMBLY, ISS	
2	301677	301678	HOOD ASSEMBLY, HOPPER, ISS	
3	300096		LIFT BRACKET ASSEMBLY, HOPPER	
4	300028		BAR, STOP (PLTD)	
5	302146		BACKING, HOPPER SIDE CORNER	
6	300151		FLAP, HOPPER SIDE CORNER	
7	301146		CLIPNUT, 1/4 - 20	
8	300194		FLAP, HOPPER	
9	300188	300205	ANGLE, FLAP HOPPER	
10	301668		FITTING, STRAIN RELIEF	
11	301672		GASKET, HOOD, ISS	
12	300428	300554	GASKET, HOOD, LONG	
13	300380		LATCH ASSEMBLY	
14	302342		RETAINER	
15	302328		WIRING HARNESS, HOPPER, LD	
16	300424		MOTOR, SHAKER FILTER	
17	300904		MOUNT, NEOPRENE SHAKER MOTOR	
18	301053		WEIGHT, ECCENTRIC	
19	400055		SCREW, SSCP, #10-24 x .34 LG	
20	300915		RETAINER, SHAKER MOTOR	
21	301674		MOUNT, FILTER SHAKER MOTOR	
22	300353		KNOB, CLAMPING FILTER RET	
		400083	SCREW, HHM, 5/16 - 18 x 2.25 LG	
23	301155		CLIPNUT, 5/16 - 18	
24	300390		FILTER, DUST CONTROL	
25	300449		GASKET, FILTER DUST, SHORT	
26	301594		GASKET, FILTER DUST, ISS	

MAIN BROOM

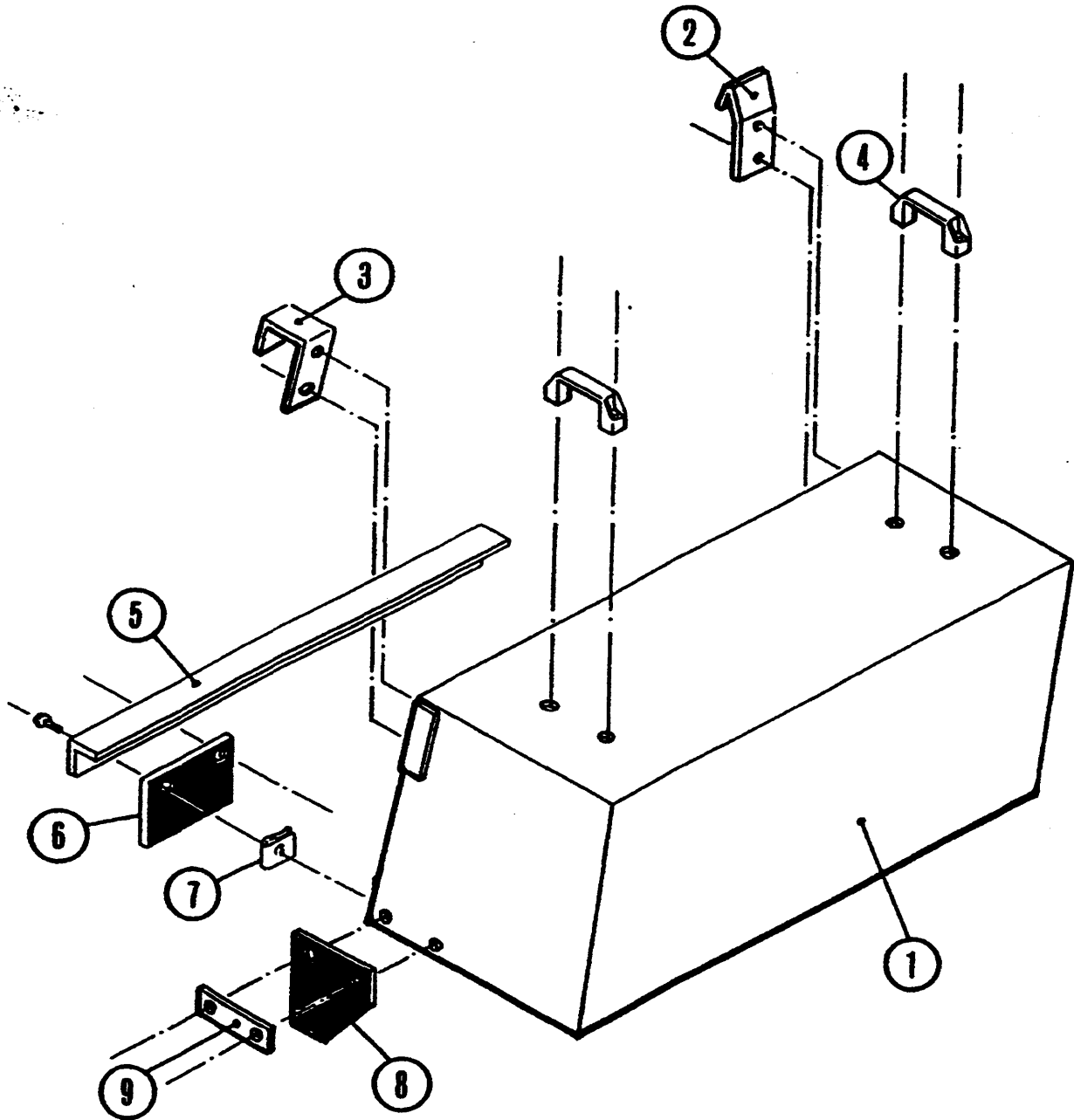




MAIN BROOM

REF#	90 SER	80 SER	DESCRIPTION	QUANTITY
1	305795		ARM ASSEMBLY, IDLER	
2	305666		RING, RETAINING	
3	305667		BEARING, IDLER	
4	305642		HUB, IDLER	
5	400047		SCREW, SHC, 5/16" - 18 x .75"	
6	400116		PIN, CLEVIS, 3/8" x 1.25"	
7	301447		CLEVIS	
8	400117		PIN, CLEVIS, 3/8" x 1.12"	
9	300414		BUSHING, PLASTIC	
10	300558		KNOB	
11	300675		LEVER ASSEMBLY, LIFT	
12	400084		NUT, WING	
13	300352		KNOB, LIFT ADJUSTMENT	
14	300088		ARM ASSEMBLY, LIFT	
15	400113		PIN, CLEVIS, 3/8" x 6.12"	
16	302375	300858	ROD, LIFT	
17	301285		RETAINER, DRIVE HUB	
18	301050		HUB, DRIVE	
19	305841	305784	MOUNT ASSEMBLY, MAIN BROOM	
20	304899		FITTING, ADAPTER, 3/4" - 16 TO #8	
21	400212		FITTING, ADAPTER, 7/16 - 20 TO #4	
22	305669		MOTOR, HYDRAULIC, MAIN BROOM	

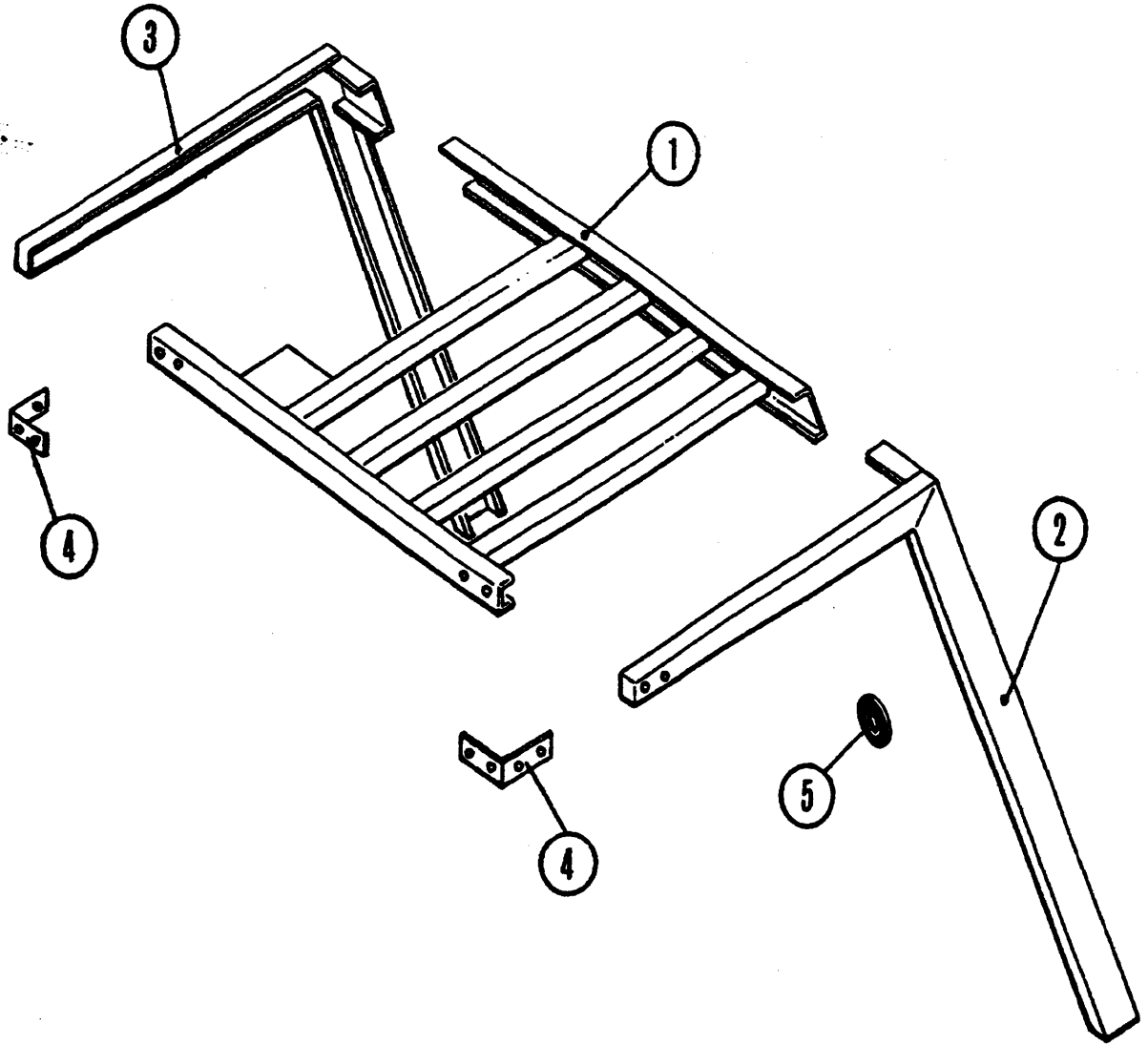
MANUAL DUMP HOPPER



MANUAL DUMP HOPPER

REF#	90 SER	80 SER	DESCRIPTION	QUANTITY
1	301191	301181	HOPPER ASSEMBLY, CSS	
2	301169		BRACKET, CSS HOPPER	
3	302444		BRACKET, CSS HOPPER, LH	
4	301297		HANDLE, PLASTIC	
5	300188	300205	ANGLE, HOPPER FLAP	
6	300195	300194	FLAP, HOPPER FRONT	
7	301146		CLIPNUT, 1/4 - 20	
	301146		CLIPNUT, 1/4 - 20	
8	300151		FLAP, HOPPER SIDE	
9	302146		BACKING, HOPPER SIDE CORNER	
10	400059		SCREW	

OVERHEAD GUARD

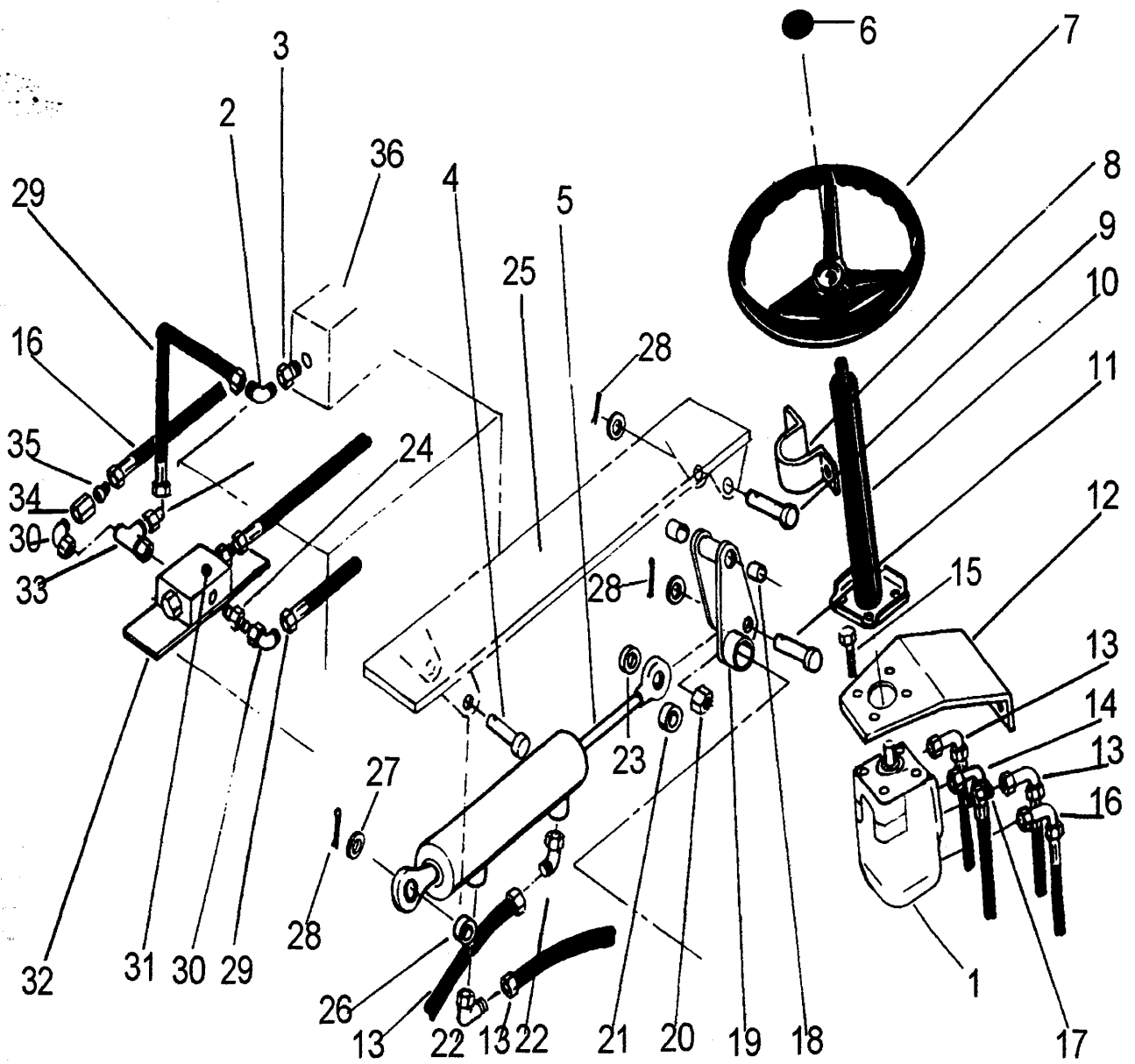




OVERHEAD GUARD

REF#	90 SER	80 SER	DESCRIPTION	QUANTITY
1	300785	300784	GUARD ASSEMBLY, TOP , OVERHEAD (PNTD)	
2	300763		GUARD ASSEMBLY, RH SIDE, OVERHEAD (PNTD)	
3	300762		GUARD ASSEMBLY, LH SIDE, OVERHEAD (PNTD)	
4	302708		BRACKET, CORNER, OVERHEAD GUARD (PNTD)	
5	400203		WASHER, NEOPRENE .41 x 2.00 O.D.	

POWER STEERING

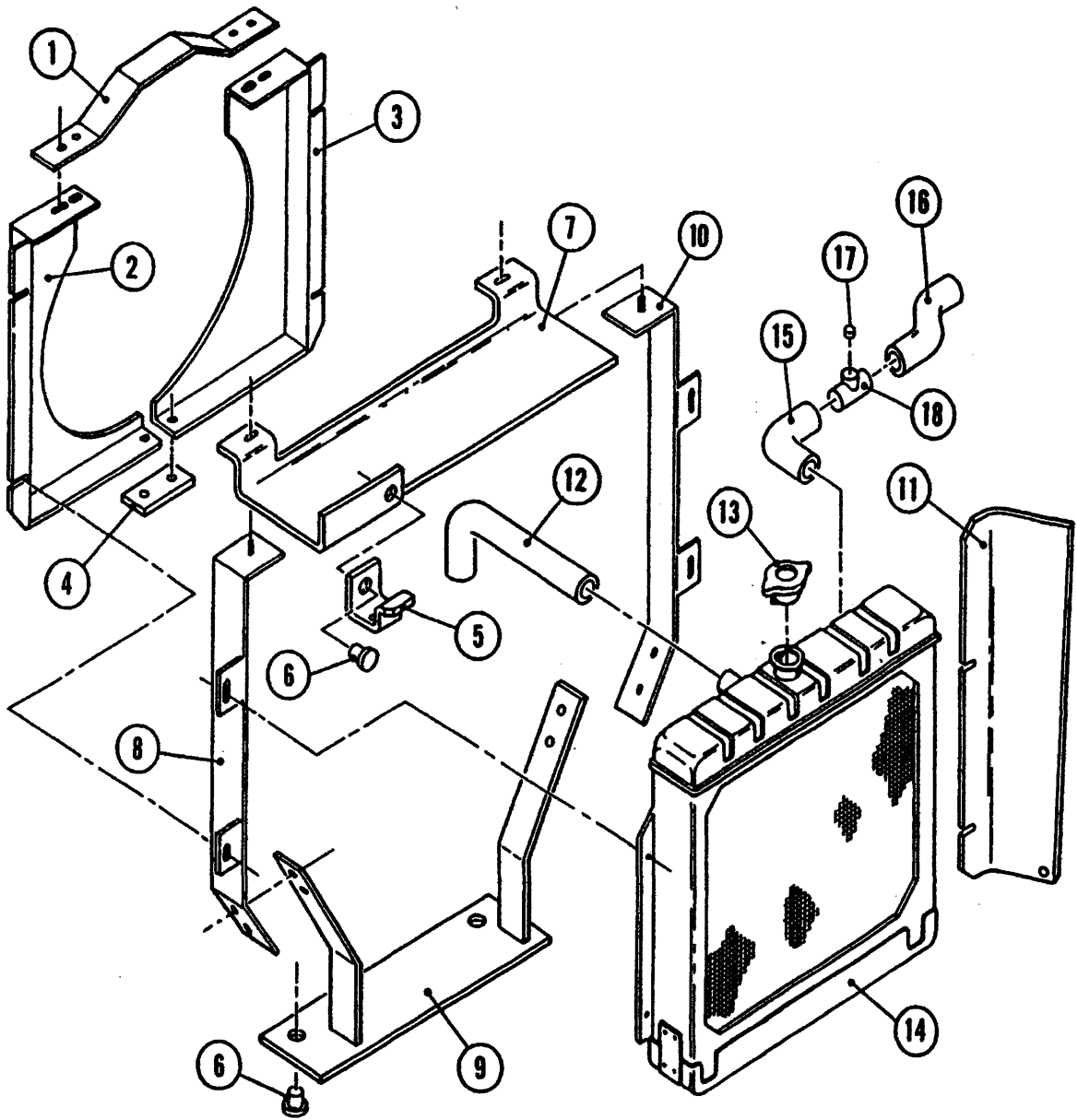




POWER STEERING (90 ONLY)

REF#	PART#	DESCRIPTION	QUANTITY
1	307262	PWR STEERING UNIT - SW/A	1
2	400190	FTG - 90 EL 1/2 TUBE TO 3/8 MPT	1
3	400167	FTG - ADAPTER 1-1/6-12 EXT TO 3/4-16 INT	1
4	400439	PIN - CLEVIS 3/4" DIA X 2.0 LONG	1
5	307311	CYLINDER - STEERING ARMA & POWER	1
6	307264	CAP - STEERING WHEEL SW/A	1
7	307245	STEERING WHEEL - POWER STEERING	1
8	300228	BRACKET - STEERING PNTD	1
9	400437	PIN CLEVIS 1 DIA X 4.5 LONG	1
10	307263	STEERING COLUMN - POWER STEERING	1
11	400438	PIN - CLEVIS 3/4" DIA X 3.5 LONG	1
12	306914	MNT - PWR STEERING MTR PNTD	1
13	316063	HOSE - HYD PWR STEERING FEED	2
14	300624	HOSE - HYD WHEEL MOTOR TO RESERVOIR	1
15	400030	SCREW - HEX 3/8-16 X 1.0 ZP	4
16	306934	HOSE - HYD STG UNIT / HY RES PWRS	1
17	400264	FTG - MALE CONNECTOR 9/16 TO #4	4
18	300552	BEARING - 1 ID X 1.124 OD X 1.5	2
19	306937	ASSY - IDLER ARM PWR STG PNTD	1
20	400188	NUT - HEX JAM 1/2-20 ES	1
21	306921	SPACER - PS CYL FRT THK PLTD	1
22	400152	FTG - 90 1/2-20 TO #5	2
23	306922	SPACER - PS CYL FRT THIN PLTD	1
24	304899	FTG - ADAP 3/4-16 TO 1/2 OD TUBE	1
25	306926	ASSY - CYL MNT PWR STR FS PNTD	1
26	307188	SPACER - IMP ISOLATION SW/A	3
28	400119	PIN - COTTER 3/16 X 1.5 ZP	5
29	300630	HOSE - HYD FILTER TO VALVE BODY	2
30	400244	FTG - SWIVEL 90 EL #8 JIC	2
31	306869	VALVE - PRIORITY FLOW	1
32	306931	MNT - PWR STEERING VLV PNTD	1
33	400250	FTG - TEE SWIVEL 1/2 TUBE	1
34	302408	FTG - REDUCER TUBE END 8-4	2
35	302409	FTG - NUT #8 BTX-5	2
36	306870	VALVE - RELIEF POWER STEERING	1

RADIATOR - KUBOTA





RADIATOR - KUBOTA

REF#	90 SER	80 SER	DESCRIPTION	QUANTITY
1	302957		STRAP, RADIATOR SHROUD (HD)	
	302854		STRAP, RADIATOR SHROUD (LD)	
2	302942		STRAP, RADIATOR FRONT (HD)	
	302856		STRAP, RADIATOR FRONT (LD)	
3	302943		STRAP, RADIATOR REAR (HD)	
	302855		STRAP, RADIATOR REAR (LD)	
4	301264		PLATE, FAN SHROUD	
5	302955		MOUNT, RADIATOR BAFFLE	
6	300465		MOUNT, ISOLATION	
7	302956		DEFLECTOR, RADIATOR TOP (HD)	
	302852		DEFLECTOR, RADIATOR TOP (LD)	
8	302112		MOUNT ASSEMBLY, RADIATOR FRONT	
9	302945		MOUNT ASSEMBLY, RADIATOR (HD)	
	302849		MOUNT ASSEMBLY, RADIATOR (LD)	
10	302114		MOUNT ASSEMBLY, RADIATOR REAR	
11	302779		DEFLECTOR, RADIATOR SIDE (HD)	
	302853		DEFLECTOR, RADIATOR SIDE (LD)	
12	302920		HOSE, RADIATOR UPPER	
13	300420		CAP, RADIATOR	
14	302101		RADIATOR, 3-CORE	
15	303116		HOSE, 90 DEG. ELBOW LOWER	
16	300534		HOSE, RADIATOR LOWER	
17	400361		PLUG, 1/4" NPT	
18	302457		TAP ASSEMBLY, COOLANT	
19	301085		SPACER, FRONT BUMPER	

RADIATOR - PERKINS

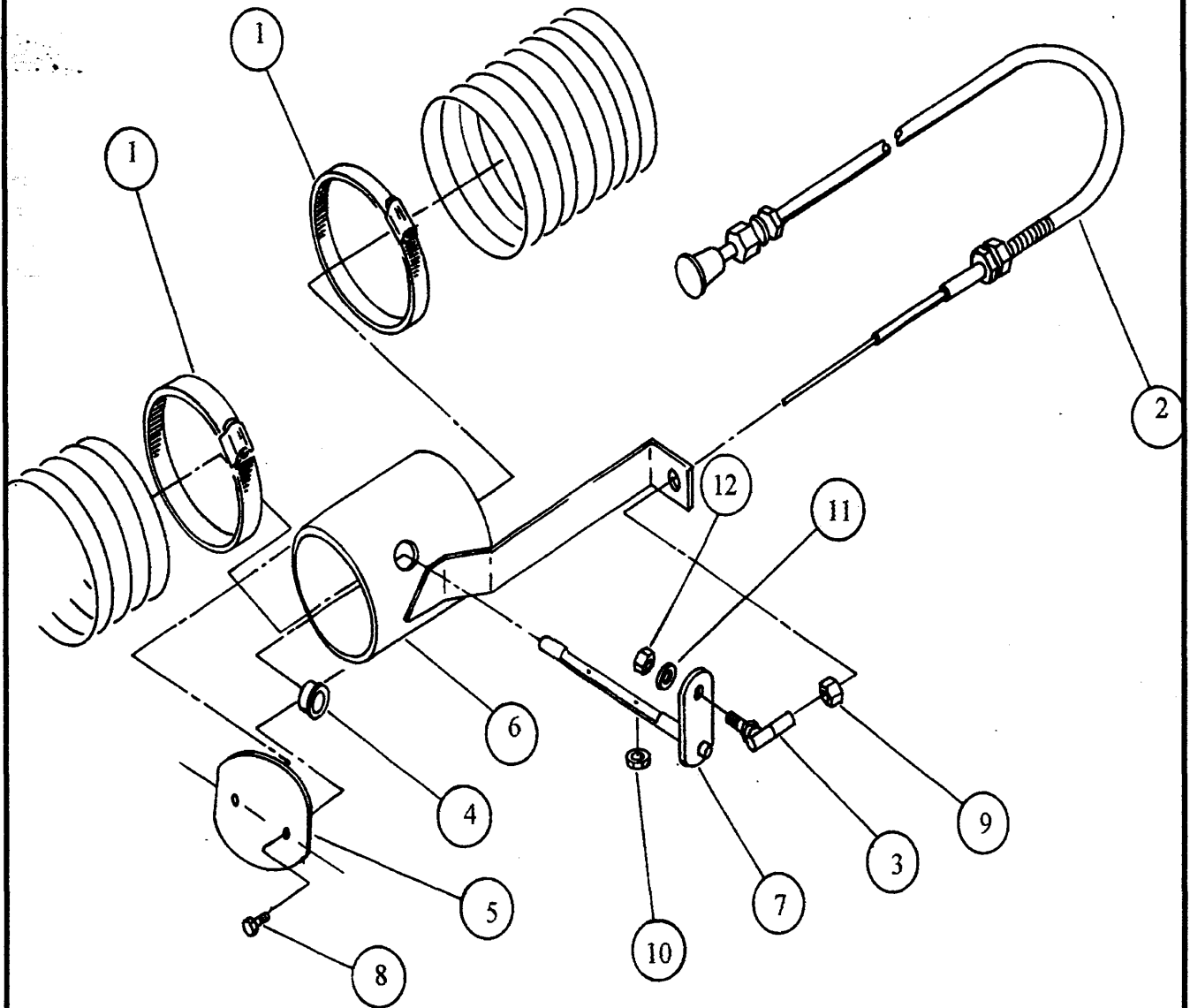
TO BE SUPPLIED AT A LATER DATE



RADIATOR - PERKINS

TO BE SUPPLIED AT A LATER DATE

REMOTE WET SWEEP BYPASS

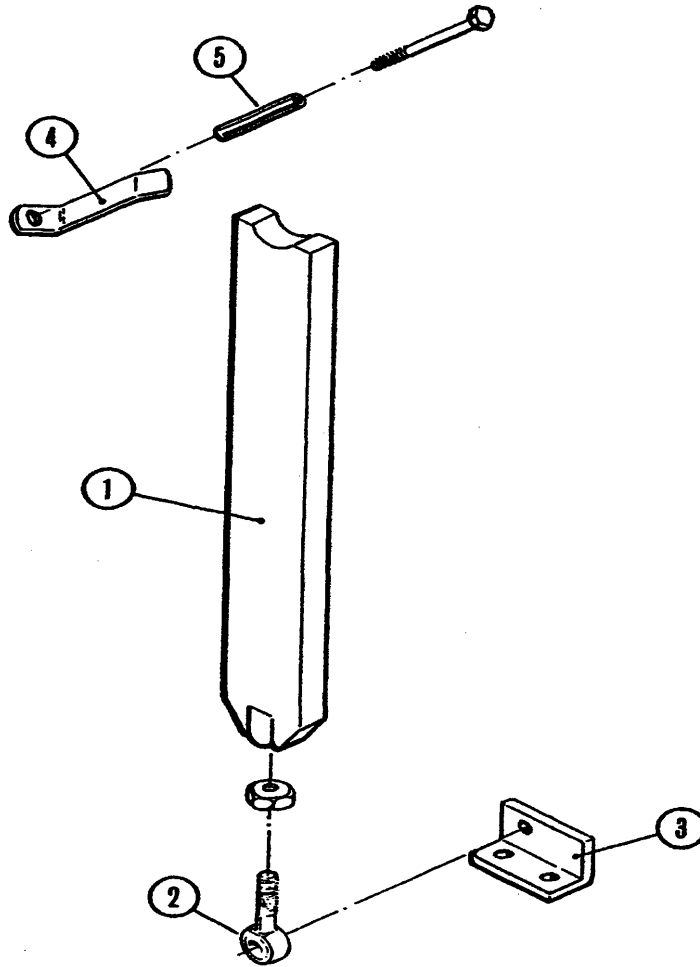


REMOTE WET SWEEP BYPASS (90 ONLY)

REF#	PART#	DESCRIPTION	QUANTITY
	320812	Remote Wet Sweep By-Pass Option	1
Above sub-assembly contains the following items.			
1	300351	CLAMP - HOSE 4.0 DIA	2
2	301427	CABLE - IMPELLER STOP	1
3	301459	BALL JOINT - #10-32 ZP	1
4	304017	BUSHING - THROTTLE NYLON SW/75	2
5	304103	DAMPER - GASKET MNT SW/75 PLTD	1
6	304935	ASSY - TUBE REM HOP SHUTOFF PNTD	1
7	304938	ASSY - ROD REM HOP SHUTOFF PLTD	1
8	400045	SCREW - PAN #8-32 X .62, SLT ZP	2
9	400072	NUT - HEX #10-32 ZP	1
10	400082	NUT - HEX #8-32 ES ZP	2
11	400103	WASHER - LOCK 1/4 SPLIT ZP	1
12	400180	NUT - HEX 1/4-28 ZP	1



SAFETY ARM ASSEMBLY

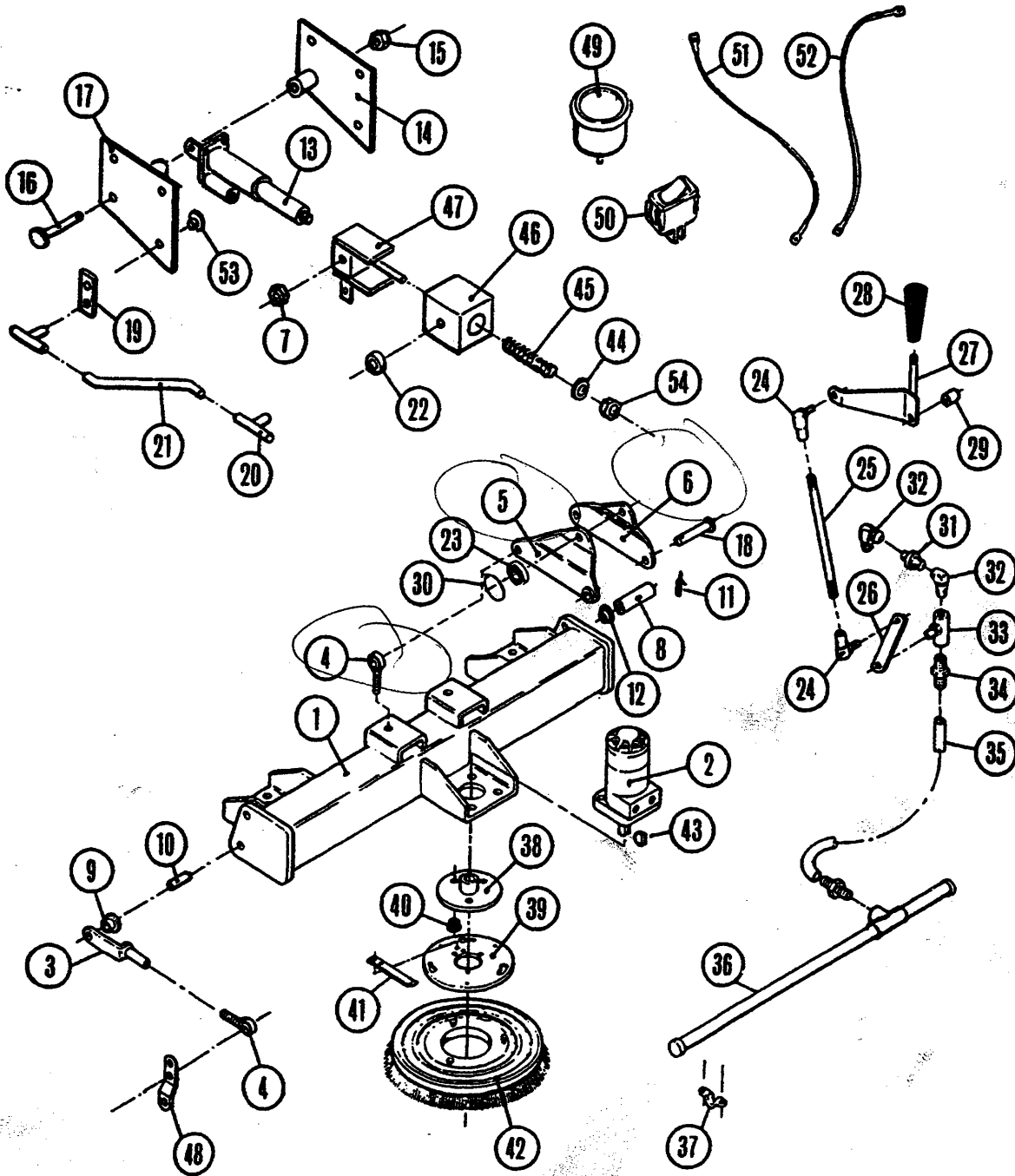


SAFETY ARM ASSEMBLY

REF#	90 SER	80 SER	DESCRIPTION	QUANTITY
1	302042		ARM ASSEMBLY, SAFETY	
2	300457		BALL JOINT, 5/8" - 18	
3	302045		BRACKET, HD SAFETY ARM	
4	302076		RET, HD SAFETY ARM	
5	302077		HOSE, HD SAFETY ARM	



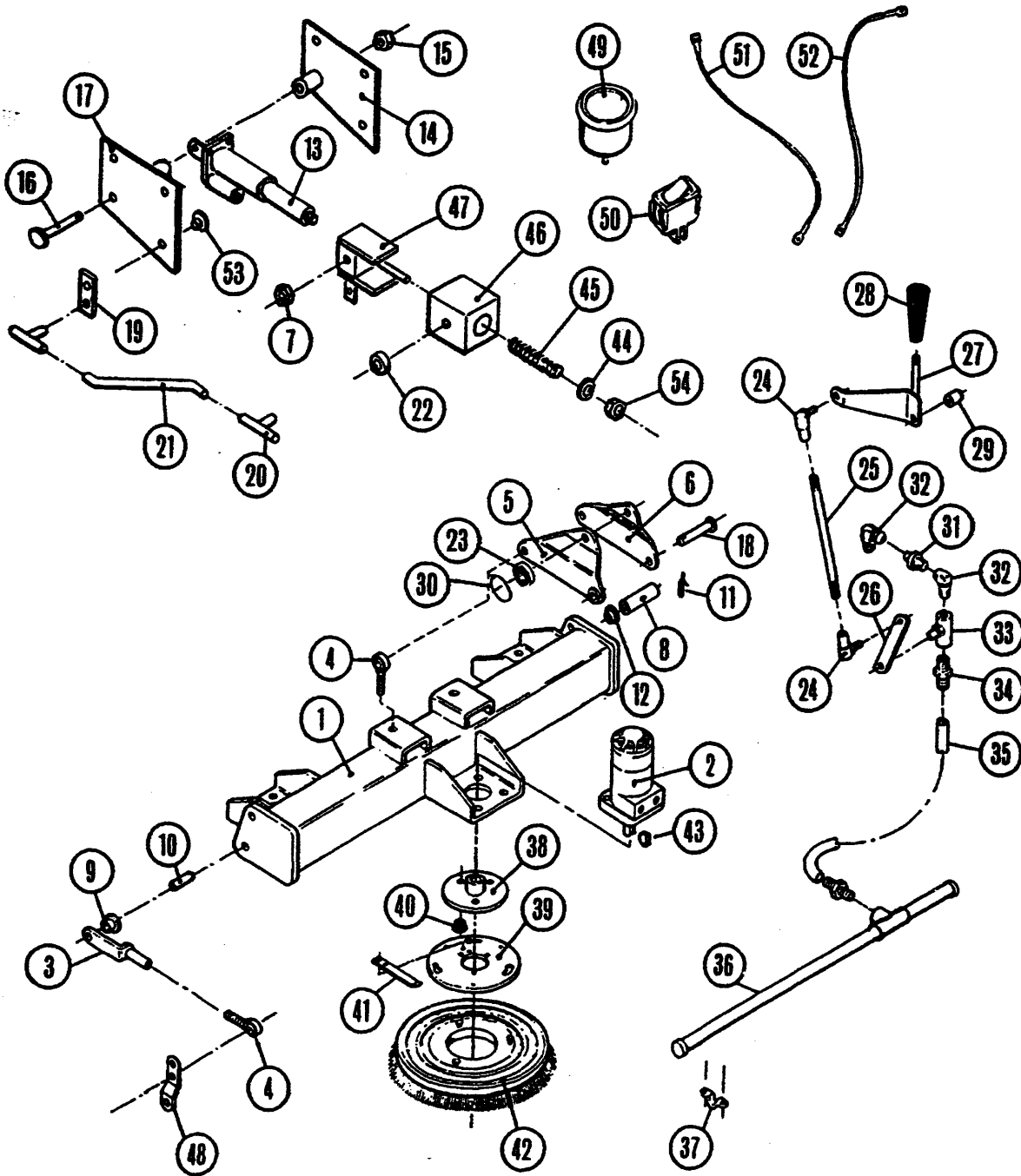
SCRUBHEAD LIFT AND SOLUTION DELIVERY



SCRUBHEAD LIFT AND SOLUTION DELIVERY

REF#	90 SER	80 SER	DESCRIPTION	QUANTITY
1	303458	303459	SCRUBHEAD ASSEMBLY, ELECTRIC	
2	301467		MOTOR, HYDRAULIC SCRUBHEAD	
3	301089	303493	LIFT ARM ASSEMBLY, FULL	
4	300457		BALL, JOINT, .50 BORE	
5	303239	303241	LIFT ARM ASSEMBLY, SCRUBHEAD RIGHT	
6	303238	303240	LIFT ARM ASSEMBLY, SCRUBHEAD LEFT	
7	400317		NUT, HEX JAM	
8	301083		PIVOT, SCRUBHEAD	
9	300432		BUSHING, FLANGED	
10	302411		SLEEVE, LIFT ARM SPACER	
11	400124		PIN, COTTER, 5/8 RUE RING	
12	300550		BUSHING, BRONZE FLANGED	
13	302775		ACTUATOR, ELEC SCRUBHEAD LH	
14	303543		MOUNT ASSEMBLY, ELEC SCRUBHEAD LH	
15	400192		NUT, HEX, 5/8 -11	
16	400302		PIN, CLEVIS, 1/2 x 5.00	
17	303544		MOUNT ASSEMBLY, ELEC SCRUBHEAD RH	
18	400111		PIN, CLEVIS, 5/8 x 6.00	
19	303299		GAUGE ASSEMBLY, LIFT ARM	
20	301199		BALL JOINT, 1/4	
21	303296		LINKAGE, SCRUBHEAD GAUGE	
22	303224		SPACER, ELEC SCRUBHEAD LIFT	
23	303219		BEARING, SPHERICAL PLAIN	
24	300460		BALL JOINT, 5/16	
25	301398		ROD, SOLUTION VALVE	
26	300027		ARM, SOLUTION VALVE	
27	301307		LEVER ASSEMBLY, SOLUTION VALVE	
28	300558		KNOB, MAIN BROOM	
29	302420		SPACER, LEVER SOL VALVE	
30	303217		RING, RET, INT, .87	
31	301480		FITTING, NIPPLE, 3/4 NPT BRASS	
32	301481		FITTING, 90 DEG. EL 3/4 NPT BRASS	
33	300330		VALVE, 2-WAY SOLUTION	
34	300802		FITTING, ADAPTER, 3/4 NPT	
35	300331		HOSE, SOLUTION VALVE	
36	301473	301472	TUBE ASSEMBLY, SOL DELIVERY	
37	300551		CLAMP, 3/4	
38	300875		HUB ASSEMBLY, SCRUB BRUSH	
39	301262		PLATE, GIMBAL SCRUBHEAD	
40	300465		MOUNT, ISOLATION	
41	302058		RETAINER, BRUSH	

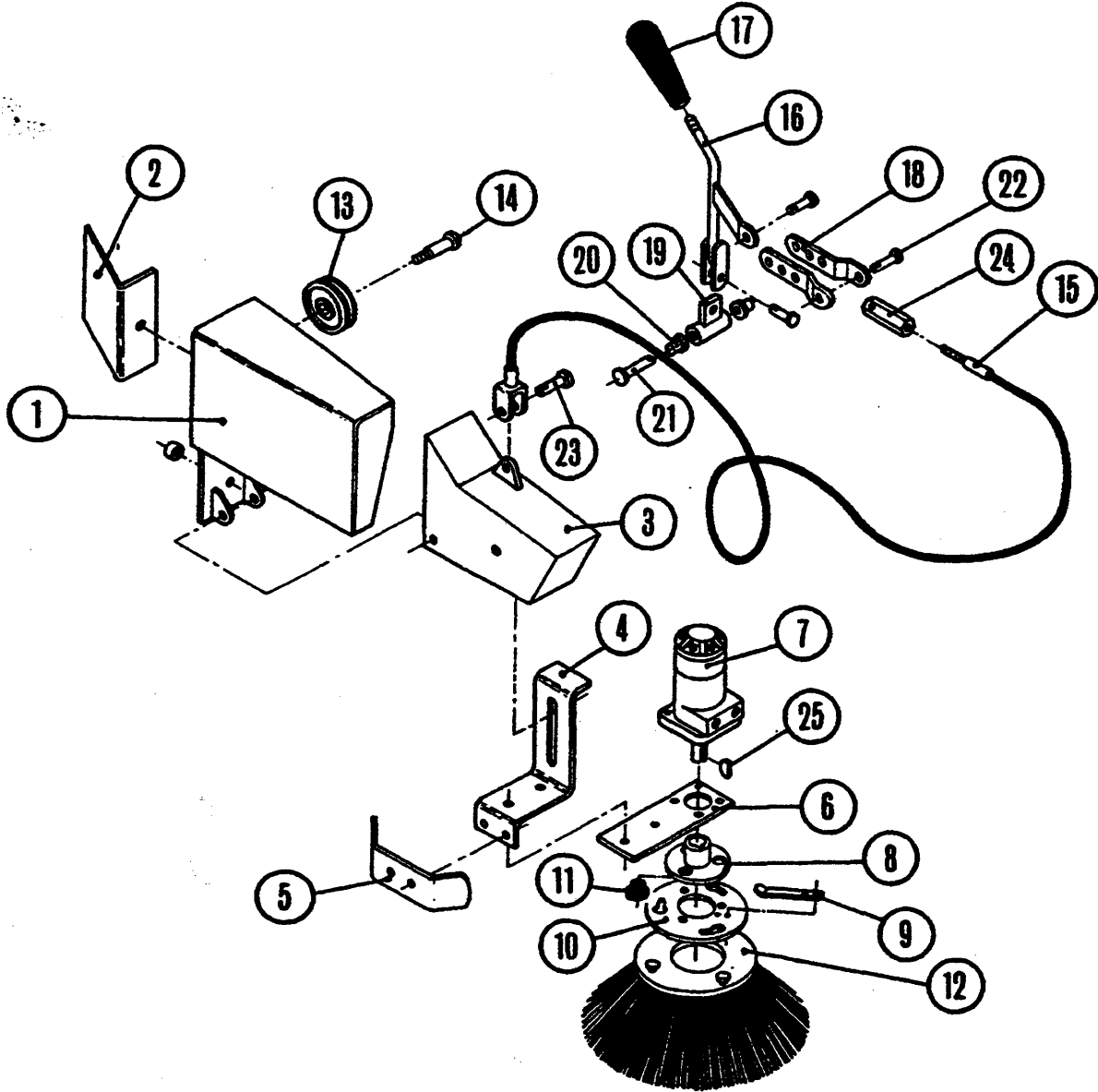
SCRUBHEAD LIFT AND SOLUTION DELIVERY (CONT.)



**SCRUBHEAD LIFT AND SOLUTION DELIVERY (CONT.)**

REF#	90 SER	80 SER	DESCRIPTION	QUANTITY
42	300796	300795	SCRUB BRUSH, NYLO-GRIT	
	300794	300793	SCRUB BRUSH, NYLON	
	300792	300791	SCRUB BRUSH, STRAIGHT WIRE	
43	302082		KEY, HYDRAULIC MOTOR, CURB BROOM	
44	303225		RETAINER, ELEC SCRUBHEAD LIFT	
45	303218		SPRING, COMPRESSION 1.00	
46	303227		BLOCK, PRESSURE, SCRUBHEAD LIFT	
47	303309		PIN ASSEMBLY, SCRUBHEAD	
48	300913		MOUNT, SIDE SQUEEGEE LH	
49	303258		GAUGE, ELEC SCRUBHEAD	
50	303307		SWITCH, 2 PDT	
51	303467		WIRING HARNESS, IGNITION ELEC	
52	303308		WIRING HARNESS, ELEC SCRUBHEAD LIFT	
53	303465		POTENTIOMETER ASSEMBLY	
54	400188		NUT, HEX JAM, 1/2 - 20 HALF ES	
55	300911		MOUNT, SIDE SQUEEGEE RH (NOT SHOWN)	

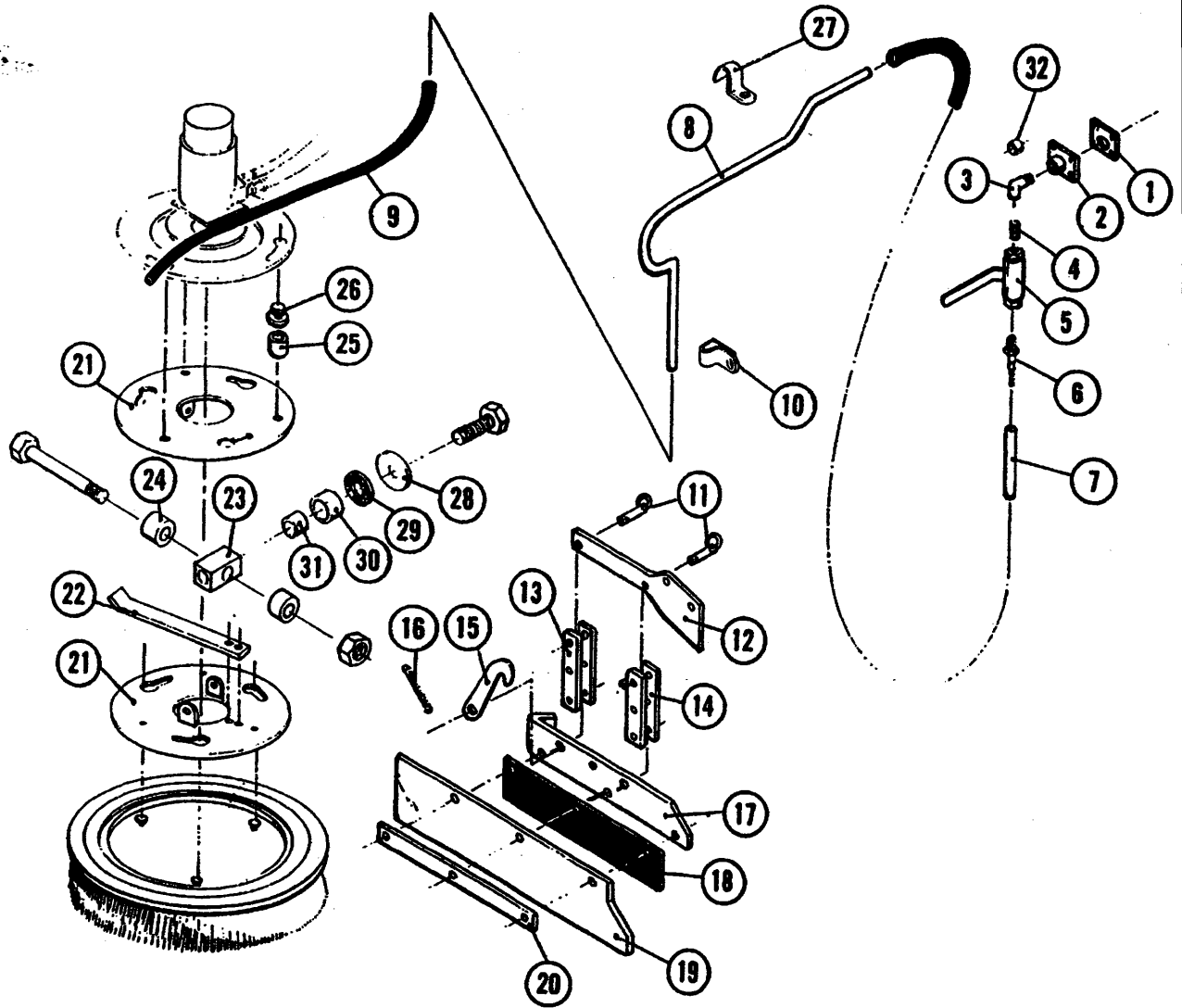
SIDE BROOM



SIDE BROOM

REF#	90 SER	80 SER	DESCRIPTION	QUANTITY
1	301676		BRACKET ASSEMBLY, MOUNTING CURB BROOM (HD)	
	300985		BRACKET ASSEMBLY, MOUNTING CURB BROOM (LD)	
2	300959		GUARD, FRAME	
3	300929		ARM ASSEMBLY, CURB BROOM	
4	300054		BRACKET, CURB BROOM	
5	304953		GUARD ASSEMBLY, CURB BROOM	
6	300956		PLATE, MOUNTING, CURB BROOM	
7	301560		MOTOR, HYDRAULIC CURB BROOM	
8	300875		HUB ASSEMBLY	
9	302058		BAR, BRUSH RETAINER	
10	301262		PLATE, GIMBAL	
11	300465		ISOLATOR, RUBBER	
12	300307		BROOM, SIDE (POLY)	
	300309		BROOM, SIDE (NYLON)	
13	300368		PULLEY, PLASTIC	
14	400051		SCREW, HEX HEAD, 5/16 x .50	
15	300342		CABLE, CURB BROOM	
16	300682		LEVER ASSEMBLY, LIFT, CURB BROOM	
17	300558		KNOB, CURB BROOM	
18	300203		BAR, CABLE	
19	300036		PIVOT ASSEMBLY, LIFT LEVER	
20	300414		BUSHING, PLASTIC MAIN BROOM	
21	400115		PIN, CLEVIS, 3/8 x 3.00	
22	400135		PIN, CLEVIS, 5/16 x 1.25	
23	400118		PIN, CLEVIS, 5/16 x .88	
24	300202		BAR, CABLE ADJUSTMENT	
25	302082		KEY, HYDRAULIC MOTOR (CURB BROOM)	

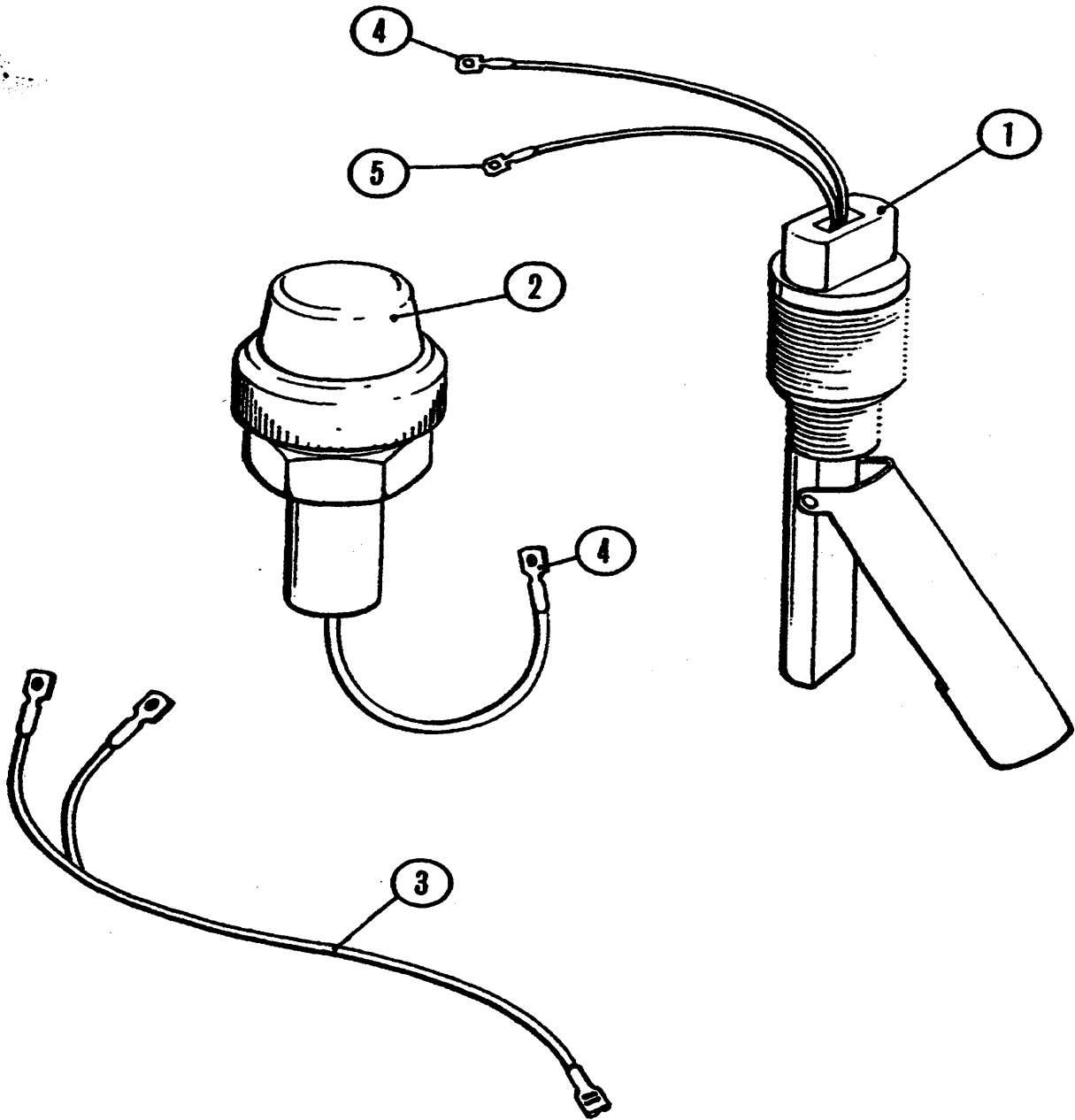
SIDE SCRUB BRUSH



SIDE SCRUB BRUSH

REF#	90 SER	80 SER	DESCRIPTION	QUANTITY
1	302547		GASKET, VALVE MOUNT	
2	302536		MOUNT ASSEMBLY, VALVE	
3	400260		FITTING, 1/4" NPT STREET ELBOW	
4	400240		FITTING, NIPPLE, 1/4" NPT	
5	400241		VALVE, SHUTOFF	
6	400261		FITTING, HOSE BARB 3/8"	
7	302544		HOSE, LONG 5/16" I.D.	
8	302141		TUBE, SOLUTION	
9	302433		HOSE, SHORT 5/16" I.D.	
10	301558		CLAMP, FUEL LINE	
11	400126		PIN, HITCH 1/2" DIA. x 1.50 LG	
12	302138		BRACKET, UPPER	
13	302127		LINKAGE ASSEMBLY	
14	302129		LINKAGE ASSEMBLY, ADJUSTABLE SQUEEGEE	
15	302132		LATCH, SQUEEGEE LINKAGE	
16	302147		SPRING, EXT	
17	302140		BRACKET, LOWER	
18	302133		BACKING	
19	302134		SQUEEGEE	
20	302136		STRAP	
21	302348		PLATE ASSEMBLY, GIMBAL	
22	302058		RETAINER, BRUSH	
23	302425		BLOCK, PIVOT	
24	302427		SPACER, SSB .88 LG	
25	302426		SPACER, SSB .62 LG	
26	301512		LUG, BROOM MOUNTING	
27	302543		CLAMPS	
28	400092		WASHER, FENDER	
29	400178		BEARING, FIBERGLIDE	
30	300339		SLEEVE	
31	300430		BUSHING	
32	302249		SPACER, NYLON	

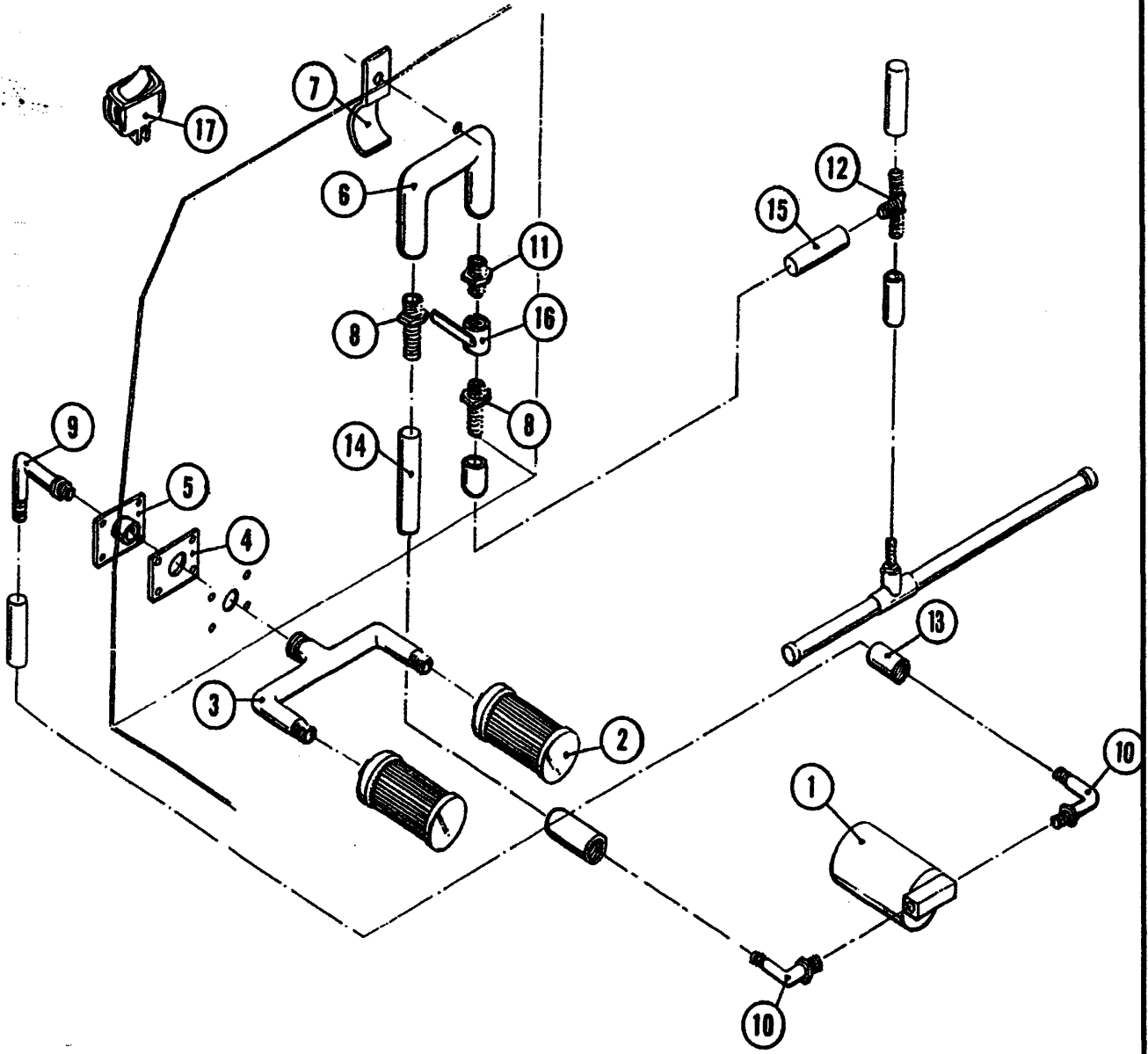
SOLUTION AND RECOVERY
TANK INDICATOR



SOLUTION AND RECOVERY
TANK INDICATOR

REF#	90 SER	80 SER	DESCRIPTION	QUANTITY
1	302737		SWITCH, LEVEL, POLYSULFONE	
2	301553		LIGHT, TRASH RELOCATOR	
3	302749		HARNESS, WIRING	
4	302462		TERMINAL, MALE SNAP PLUG	
5	302750		TERMINAL, FEMALE SNAP PLUG	

SOLUTION SYSTEM - EXTENDED

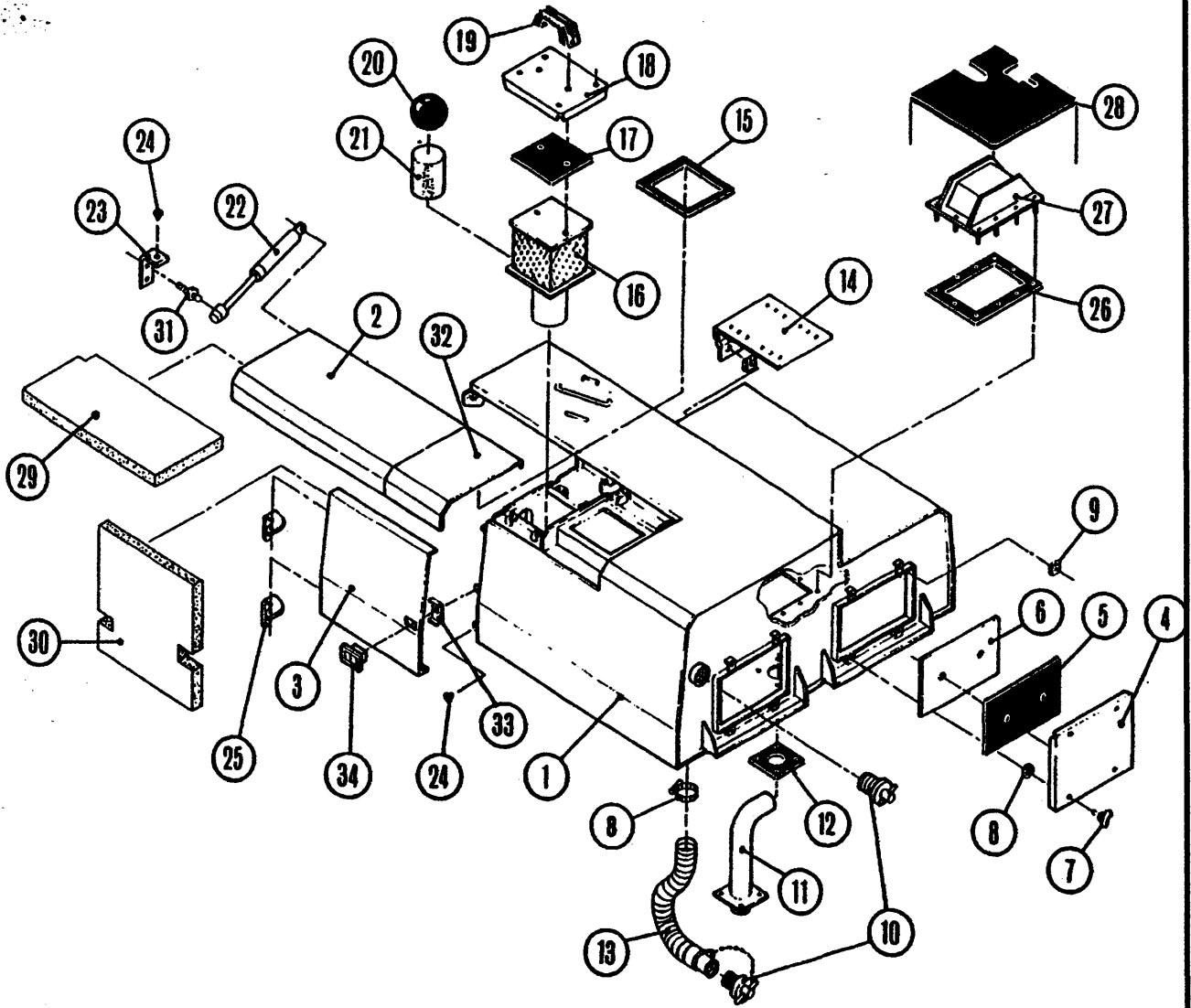




SOLUTION SYSTEM - EXTENDED

REF#	90 SER	80 SER	DESCRIPTION	QUANTITY
1	302243		PUMP, SOLUTION	
2	300360		STRAINER, HYDRAULIC RESERVOIR	
3	302725		MANIFOLD ASSEMBLY	
4	302962		GASKET, TAP	
5	302963		TAP ASSEMBLY	
6	302960		LOOP ASSEMBLY	
7	302951		CLAMP, TUBE 1 5/16 DIA	
8	302952		FITTING, ADAPTER 3/4 x 5/8	
9	302718		FITTING, 3/4 x 5/8 90 DEG. THD	
10	302719		FITTING, 3/8 x 5/8 90 DEG. THD	
11	301480		FITTING, NIPPLE	
12	302950		FITTING, 3/4 TEE HOSE BARB	
13	202271		HOSE, SOLUTION PUMP INLET	
14	202722		HOSE, SOLUTION PUMP OUTLET	
15	302964		HOSE, DELIVERY	
16	300330		VALVE, SOLUTION	
17	300442		SWITCH, ROCKER LIGHTS	
	302965		SWITCH, WIRING HARNESS, PUMP	
	302966		SWITCH, WIRING HARNESS, IGNITION	

SOLUTION TANK - FULL SIZE





SOLUTION TANK - FULL SIZE

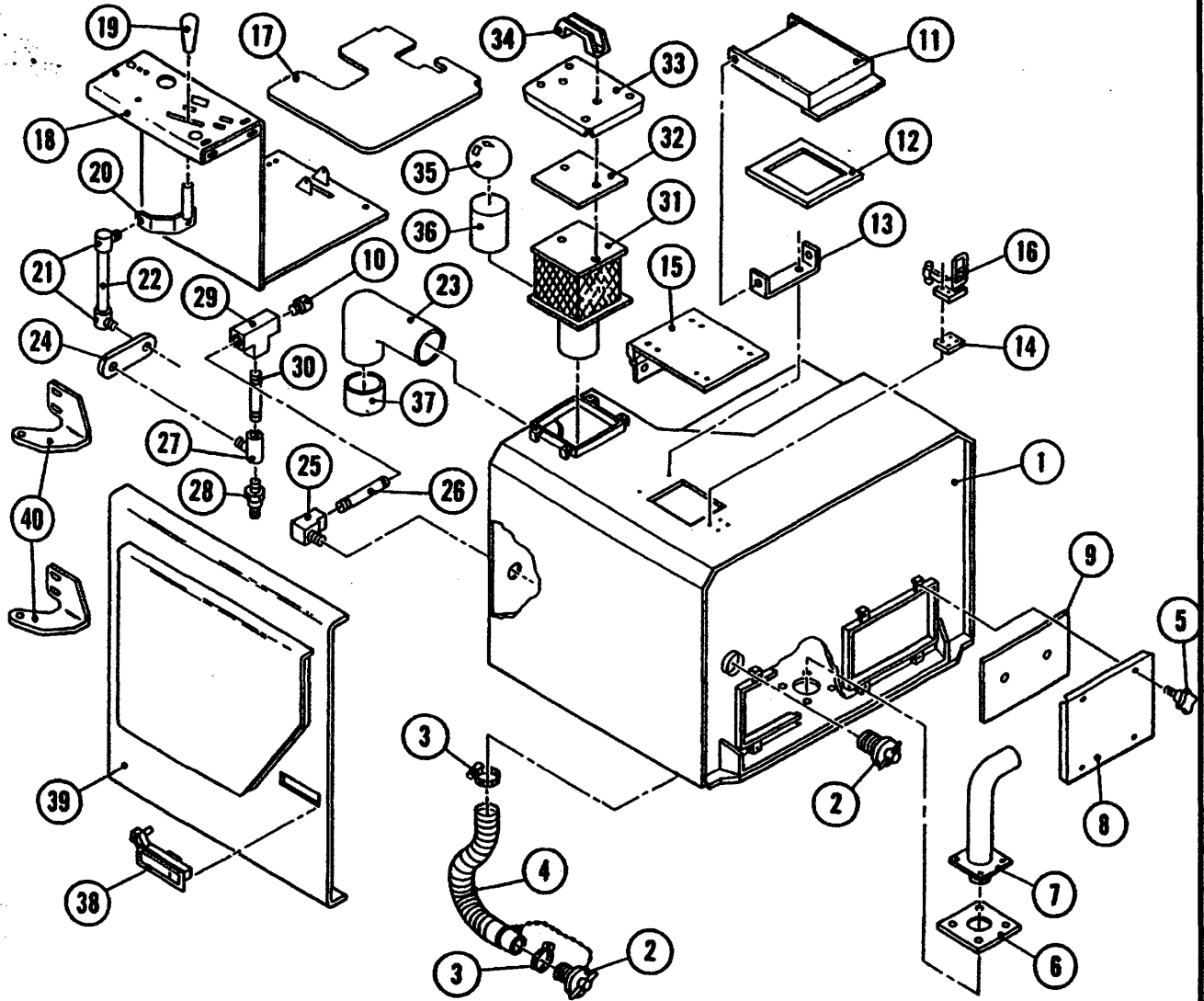
REF#	90 SER	80 SER	DESCRIPTION	QUANTITY
1	301109		TANK ASSEMBLY, COLD-ROLLED STEEL	
	300596		TANK ASSEMBLY, STAINLESS STEEL	
2	301276		DOOR ASSEMBLY, TOP, SCRUBBER	
3	301281		DOOR ASSEMBLY, SIDE, SCRUBBER	
4	300779		DOOR ASSEMBLY, CLEANOUT	
5	300403		GASKET, CLEANOUT	
6	300856		PLATE RETAINER, CLEANOUT DOOR	
7	305871		KNOB, CLAMPING	
8	300336		CLAMP, HOSE	
9	301157		CLIPNUT	
10	300451		PLUG, ADJUSTABLE CLOSURE	
11	300046		TUBE ASSEMBLY, SUCTION	
12	300405		GASKET, SUCTION TUBE	
13	302480		HOSE ASSEMBLY, DRAIN	
14	301312		MOUNT ASSEMBLY, SEAT, MICHIGAN SEAT W/ ARMREST	
	301770		MOUNT ASSEMBLY, SEAT, GRAMMER SEAT	
15	300404		GASKET, TANK WATER INLET	
16	301270		FLOAT ASSEMBLY	
17	301272		GASKET, FLOAT ASSEMBLY	
18	301269		COVER, TANK FLOAT	
19	301297		HANDLE, PLASTIC	
20	300452		BALL, PLASTIC	
21	300458		FLOAT, TANK	
22	300375		GAS, SPRING, COVER	
23	300953		STOP, TOP COVER	
24	300526		BUMPER, RUBBER	
25	300968		HINGE ASSEMBLY, SIDE DOOR	
26	300450		GASKET, DEFLECTOR TANK	
27	300988		DEFLECTOR ASSEMBLY, TANK (STAINLESS STEEL)	
28	300546		PAD, ANTI-SLIP, FLOOR	
29	302070		INSULATION, TOP SCRUBBER DOOR	
30	302068		INSULATION, SIDE SCRUBBER DOOR	
31	300376		STUD, BALL GAS SPRING	
32	301766		DOOR ASSEMBLY, TOP FILL (LP)	
33	302342		RETAINER, LATCH	
34	300380		LATCH ASSEMBLY	



SOLUTION TANK - HIGH CAPACITY

REF#	90 SER	80 SER	DESCRIPTION	QUANTITY
1	304556		TANK ASSEMBLY, HIGH CAPACITY	
2	300451		PLUG, ADJ. CLOSURE	
3	300336		CLAMP, HOSE	
4	302480		HOSE ASSEMBLY, DRAIN	
5	305871		KNOB, CLAMPING	
6	300405		GASKET, SUCTION TUBE	
7	304595		TUBE ASSEMBLY, SUCTION	
8	300779		DOOR ASSEMBLY, CLEANOUT	
9	300403		GASKET, CLEANOUT DOOR	
10	400356		FITTING, 3/4 PIPE PLUG BRASS	
11	304580		DOOR ASSEMBLY, FILL	
12	304592		GASKET, TANK WATER INLET	
13	304589		HINGE, FILL DOOR	
14	304759		SPACER, LATCH	
15	301312		MOUNT ASSEMBLY, SEAT, MICHIGAN SEAT W/ARMREST	
	301770		MOUNT ASSEMBLY, SEAT, GRAMMER SEAT	
16	304934		CLAMP, FILL DOOR	
17	300546		PAD, ANTI-SLIP	
18	304573		CONSOLE ASSEMBLY	
19	300558		KNOB	
20	306213		LEVER ASSEMBLY, SOLUTION CONTROL	
21	300460		JOINT, BALL, 5/16	
22	305458		ROD, SOLUTION VALVE	
23	305745		ADAPTER, 90 DEG. ELBOW, RUBBER 4.00 I.D.	
24	300027		ARM, SOLUTION VALVE	
25	400238		FITTING, 90 DEG. ELBOW, 3/4 MPT 3/4 FPT	
26	400410		FITTING, NIPPLE, BRASS 3/4 x 5.00	
27	300330		VALVE, SOLUTION	
28	300802		FITTING, HOSE BARB	
29	400235		FITTING, TEE, 3/4 FPT BRASS	
30	400411		FITTING, NIPPLE, BRASS 3/4 x 1.50	
31	301270		FLOAT ASSEMBLY	
32	301272		GASKET, FLOAT ASSEMBLY	
33	301269		COVER, TANK FLOAT	
34	301297		HANDLE	
35	300452		BALL	
36	300458		FLOAT, TANK	
37	305750		TUBE, IMPELLER HOSE	
38	300380		LATCH ASSEMBLY	
39	304584		DOOR ASSEMBLY, SIDE, TANK	
40	300968		HINGE, SCRUBBER	
41	305924		HOSE, TANK CONNECTOR (NOT SHOWN)	

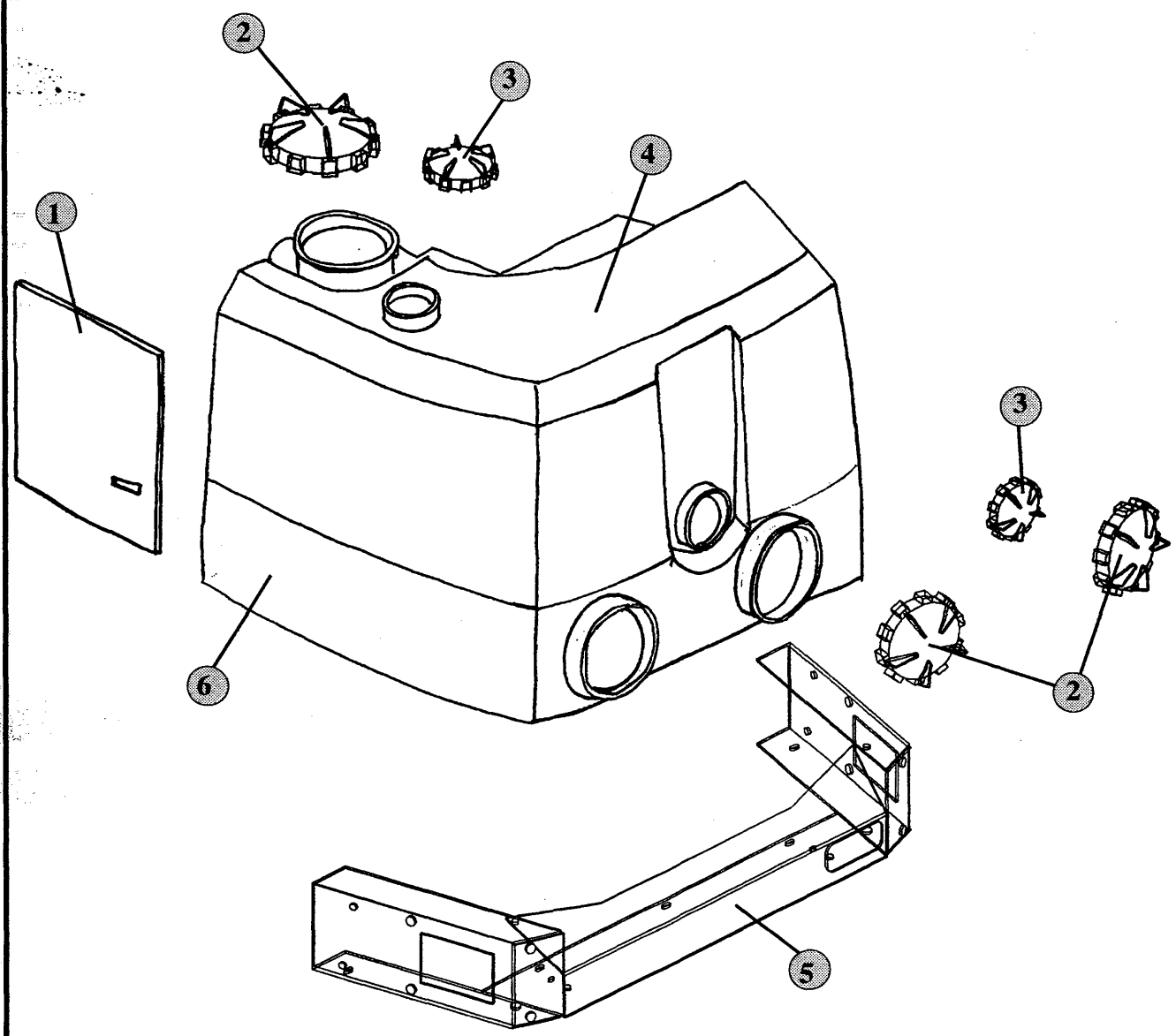
SOLUTION TANK - MIDSIZE



SOLUTION TANK - MIDSIZE

REF#	90 SER	80 SER	DESCRIPTION	QUANTITY
1	305670		TANK ASSEMBLY, STAINLESS STEEL	
2	300451		PLUG, ADJ. CLOSURE	
3	300336		CLAMP, HOSE	
4	302480		HOSE ASSEMBLY, DRAIN	
5	305871		KNOB, CLAMPING	
6	300405		GASKET, SUCTION TUBE	
7	304595		TUBE ASSEMBLY, SUCTION	
8	300779		DOOR ASSEMBLY, CLEANOUT	
9	300403		GASKET, CLEANOUT DOOR	
10	400356		FITTING, 3/4 PIPE PLUG BRASS	
11	304580		DOOR ASSEMBLY, FILL	
12	304592		GASKET, TANK WATER INLET	
13	304589		HINGE, FILL DOOR	
14	304759		SPACER, LATCH	
15	301312		MOUNT ASSEMBLY, SEAT, MICHIGAN SEAT W/ARMREST	
	301770		MOUNT ASSEMBLY, SEAT, GRAMMER SEAT	
16	304934		CLAMP, FILL DOOR	
17	300546		PAD, ANTI-SLIP	
18	304573		CONSOLE ASSEMBLY	
19	300558		KNOB	
20	306213		LEVER ASSEMBLY, SOLUTION CONTROL	
21	300460		JOINT, BALL, 5/16	
22	305458		ROD, SOLUTION VALVE	
23	305745		ADAPTER, 90 DEG. ELBOW, RUBBER 4.00 I.D.	
24	300027		ARM, SOLUTION VALVE	
25	400238		FITTING, 90 DEG. ELBOW, 3/4 MPT 3/4 FPT	
26	302504		FITTING, NIPPLE, BRASS 3/4 x 4.00	
27	300330		VALVE, SOLUTION	
28	300802		FITTING, HOSE BARB	
29	400235		FITTING, TEE, 3/4 FPT BRASS	
30	400411		FITTING, NIPPLE, BRASS 3/4 x 1.50	
31	301270		FLOAT ASSEMBLY	
32	301272		GASKET, FLOAT ASSEMBLY	
33	301269		COVER, TANK FLOAT	
34	301297		HANDLE	
35	300452		BALL	
36	300458		FLOAT, TANK	
37	305750		TUBE, IMPELLER HOSE	
38	300380		LATCH ASSEMBLY	
39	304584		DOOR ASSEMBLY, SIDE, TANK	
40	300968		HINGE, SCRUBBER	
41	305925		HOSE, TANK CONNECTOR (NOT SHOWN)	

SOLUTION TANK - PLASTIC

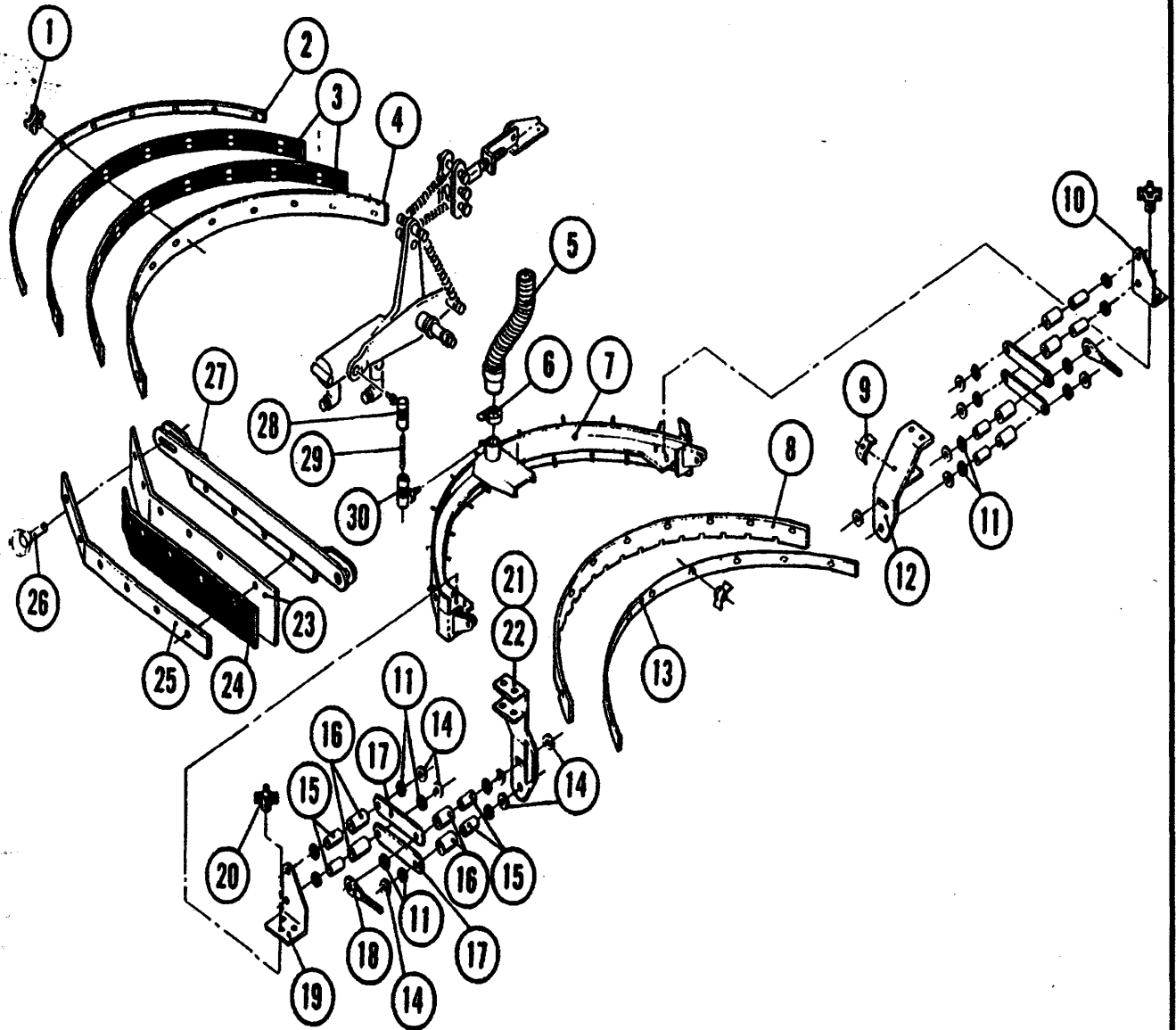




SOLUTION TANK - PLASTIC

REF#	PART#	DESCRIPTION	QUANTITY
1	309033	PANEL - SIDE DOOR HC 82 PNTD	1
2	309009	CAP - TANK 9.00 DIA	3
	309098	PLATE - BACKING FOR 9" CAP GASKET	3
	309069	GASKET - CAP 9.00 DIA 82	3
3	309006	CAP - TANK 6.00 DIA	2
	309099	PLATE - BACKING FOR 6" CAP GASKET	2
	309070	GASKET - CAP 6.00 DIA 82	2
4	309001	TANK - SOLUTION 82 (PLASTIC)	1
	309090	TANK - SOLUTION 82 LP (PLASTIC)	1
5	309010	ASSY - BUMPER EXTENSION 82 PNTD	1
6	309002	TANK - RECOVERY 82 (PLASTIC)	1
	309091	TANK - RECOVERY 82 LP (PLASTIC)	1

SQUEEGEE

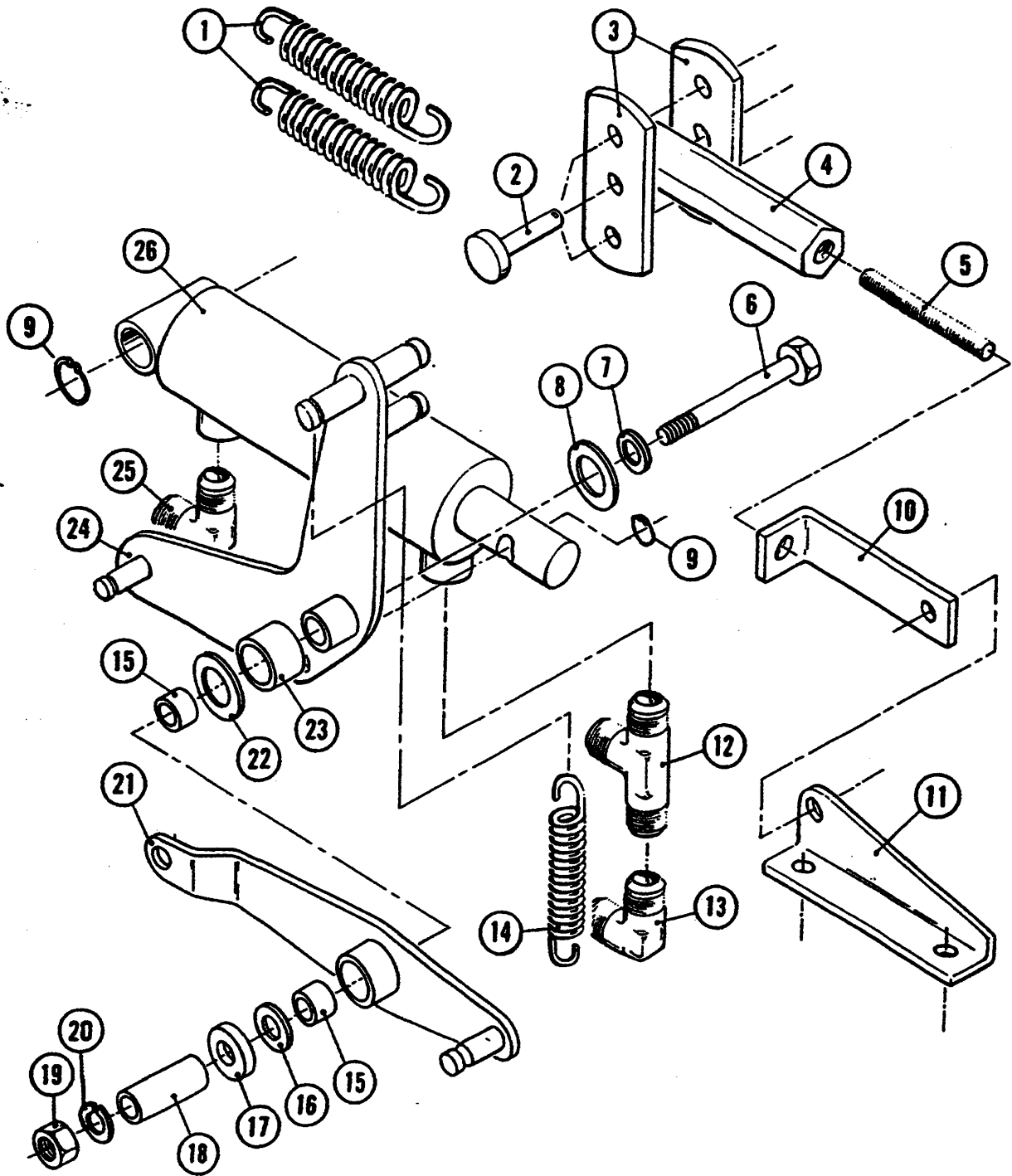




SQUEEGEE

REF#	90 SER	80 SER	DESCRIPTION	QUANTITY
1	300564		KNOB, 5/16" - 18	
2	301296	301635	STRAP, SQUEEGEE REAR	
3	300334	301637	STRIP, BACKUP REAR	
4	300333	301636	SQUEEGEE, REAR	
5	321334		HOSE, SQUEEGEE PICKUP	
6	321335		CLAMP, HOSE, 3"	
7	315893	315883	FRAME ASSEMBLY, SQUEEGEE	
8	315902	315900	SQUEEGEE, INNER	
9	301437		RETAINER, HOSE	
10	301081		SUPPORT, SQUEEGEE FRAME, (LH)	
11	400178		BEARING, FIBERGLIDE, .50" I.D. x 1.00"	
12	300973		MOUNT ASSEMBLY, SQUEEGEE FRAME, (LH)	
13	315903	315901	STRAP, SQUEEGEE INNER	
14	400087		WASHER. FLAT, 3/8"	
15	300339		SLEEVE, FWD/REV	
16	300430		BUSHING, .499 x .594 O.D.	
17	300855		ARM, SQUEEGEE	
18	300846		LINK ASSEMBLY, SQUEEGEE ADJUSTMENT	
19	300961		SUPPORT, SQUEEGEE FRAME, (RH)	
20	302339		KNOB, 5/16" - 18	
21	300978		MOUNT ASSEMBLY, SQUEEGEE (RH)	
22	300975		BRACKET, MOUNT, SQUEEGEE (RH)	
23	300328		SQUEEGEE, SIDE, (RH & LH)	
24	302057		BACKING, SIDE SQUEEGEE, (RH & LH)	
25	300897		STRAP, SIDE SQUEEGEE	
26	400126		PIN, HITCH	
27	301255		SQUEEGEE ASSEMBLY, SIDE (RH)	
	301257		SQUEEGEE ASSEMBLY, SIDE (LH)	
28	300461		JOINT ASSEMBLY, BALL, 3/8"	
29	300853		ROD, THREADED	
30	300820		JOINT ASSEMBLY, BALL	
	300434		CASTER ASSEMBLY (NOT SHOWN)	

SQUEEGEE LIFT



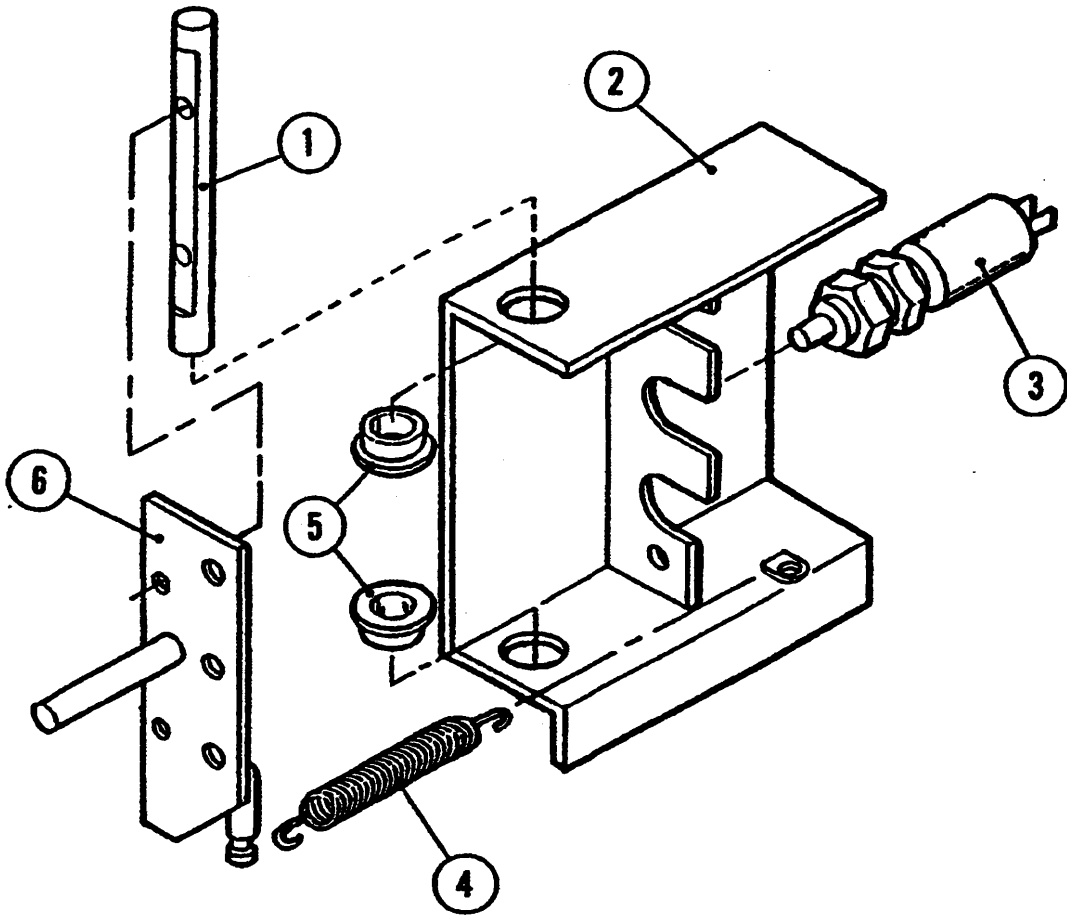


SQUEEGEE LIFT

REF#	90 SER	80 SER	DESCRIPTION	QUANTITY
1	301520		SPRING, EXTENSION SQUEEGEE	
2	400185		PIN, CLEVIS, 5/16" DIA. x 1.25	
3	302676		BAR, CABLE ADJUSTMENT	
4	300202		BAR, CABLE ADJUSTMENT	
5	301393		ROD, ADJUSTMENT	
6	400370		SCREW, HHM, 5/8 - 11 x 5.50	
7	400094		WASHER, FLAT	
8	303946		WASHER, FIBERGLIDE	
9	302207		RING, RETAINING, .50"	
10	301439		BRACKET, ADJUSTMENT	
11	302690		BRACKET, SQUEEGEE LIFT	
12	400162		FITTING, OFFSET TEE, 1/2 - 20 TO #5	
13	400246		FITTING, SWIVEL 90 DEG. ELBOW, #5 TO 5/16" TUBE	
14	302599		SPRING, EXTENSION SQUEEGEE LIFT	
15	303945		BEARING, FIBERGLIDE	
16	303948		WASHER, FIBERGLIDE	
17	303937		WASHER, RETAINER	
18	303935		BUSHING, SLEEVE	
19	400192		NUT	
20	305382		LOCKWASHER	
21	303943		ARM ASSEMBLY, SQUEEGEE LIFT	
22	303947		WASHER, FIBERGLIDE	
23	303944		BEARING, FIBERGLIDE	
24	303940		ARM ASSEMBLY, SQUEEGEE LIFT	
25	400152		FITTING, 90 DEG. ELBOW, 1/2 - 20 TO #5	
26	300141		CYLINDER, SQUEEGEE LIFT	



SQUEEGEE SWITCH BOX

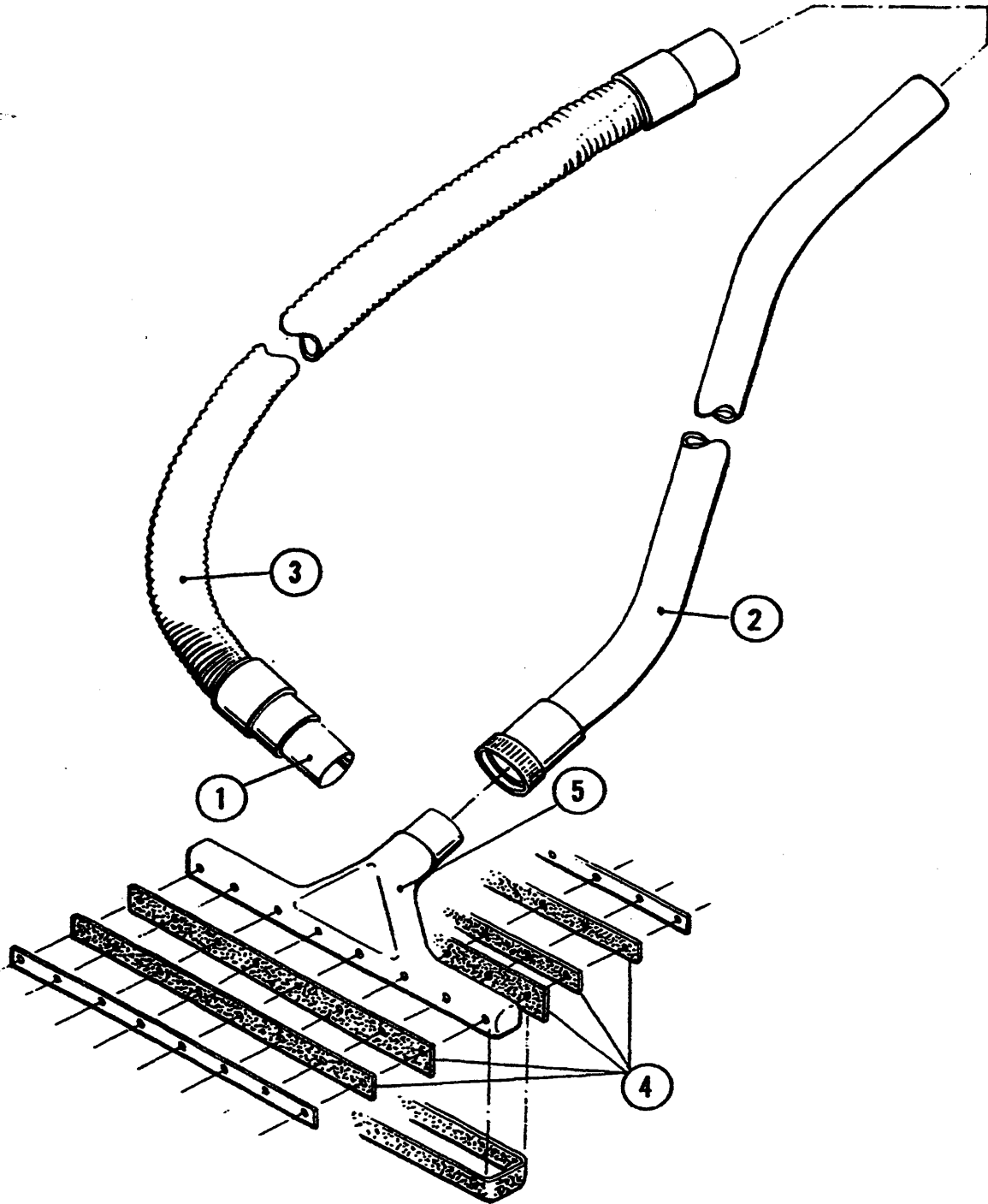




SQUEEGEE SWITCH BOX

REF#	90 SER	80 SER	DESCRIPTION	QUANTITY
1	303817		BAR, PLATE PIVOT	
2	303814		BOX ASSEMBLY, HYDRAULIC SWITCH	
3	302678		SWITCH, SQUEEGEE LIFT	
4	304160		SPRING, EXTENSION, 2"	
5	304017		BUSHING, NYLON	
6	303811		PLATE ASSEMBLY, SWITCH	

SQUEEGEE WAND

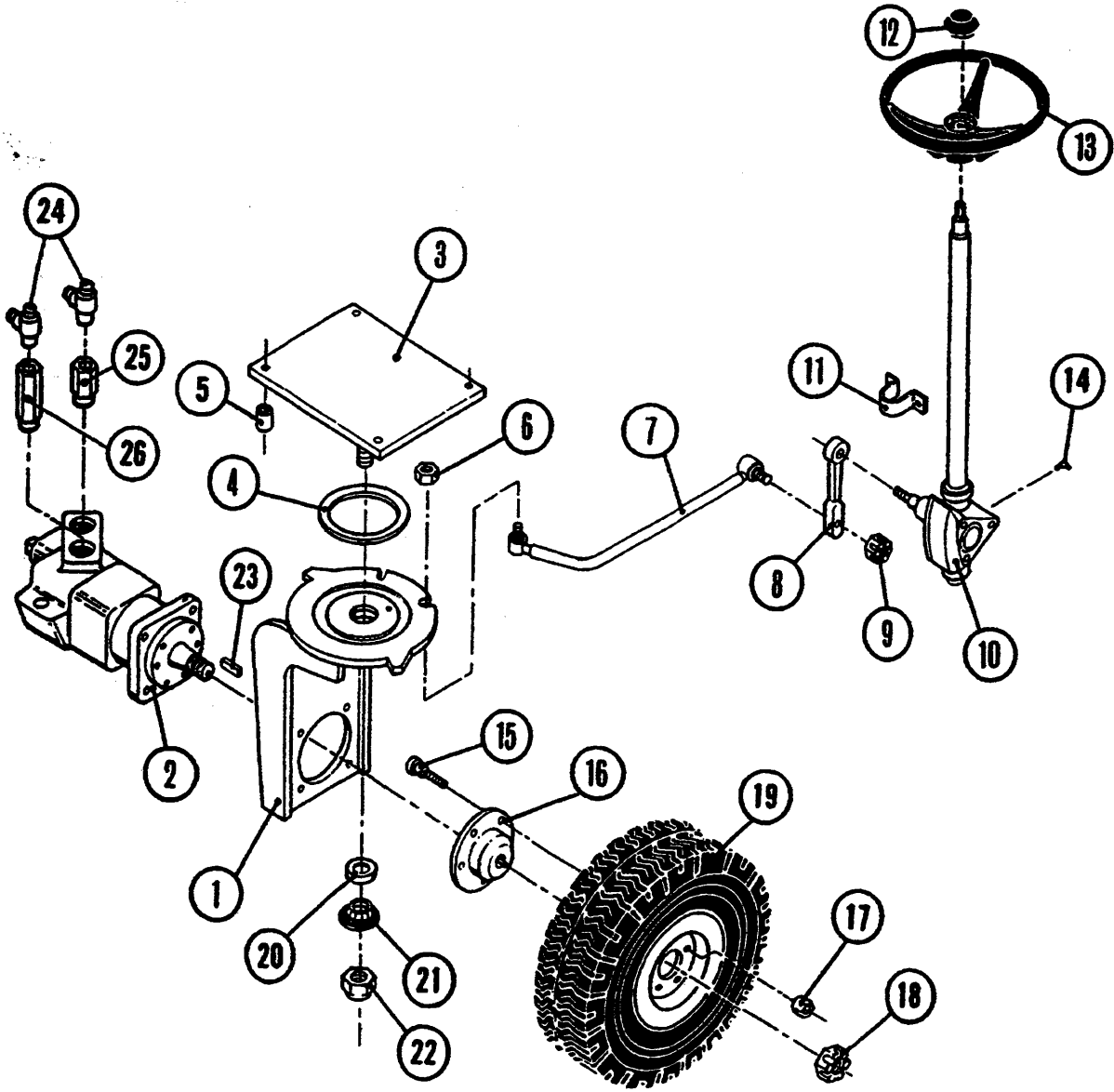




SQUEEGEE WAND

REF#	90 SER	80 SER	DESCRIPTION	QUANTITY
1	302773		ADAPTER, HOSE	
2	303557		WAND	
3	303556		HOSE	
4	303555		KIT, BLADES	
5	303558		HEAD ASSEMBLY, (W/BLADES)	

STEERING ASSEMBLY



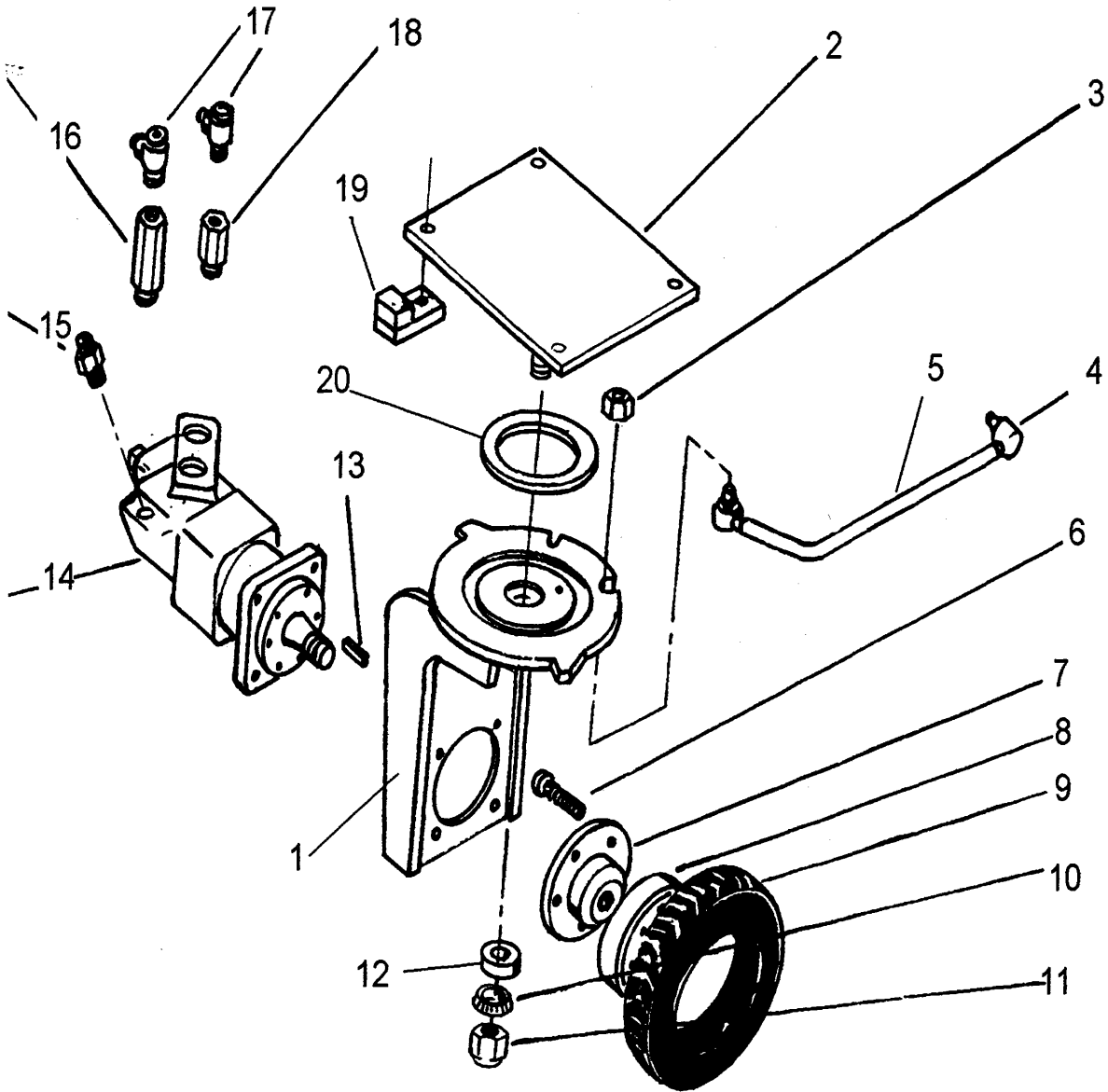


STEERING ASSEMBLY

REF#	90 SER	80 SER	DESCRIPTION	QUANTITY
1	300208		FORK ASSEMBLY, STEERING	
2	301533		MOTOR, HYDRAULIC	
3	300153		PIVOT ASSEMBLY, FORK	
4	300472		BEARING, THRUST	
5	301440		SPACER, MAIN BROOM	
6	400188		NUT, HEX JAM, 1/2 - 20	
7	301013		LINK ASSEMBLY, STEERING	
8	300215		ARM, STEERING	
9	400223		NUT, HEX SLOTTED, 1/2 - 20 SP	
10	300374		GEAR ASSEMBLY, STEERING	
11	300228		BRACKET, STEERING	
12	300373		CAP, STEERING WHEEL	
13	300372		WHEEL, STEERING	
14	400205		FITTING, GREASE, 65 ELBOW 1/4 NPT	
15	300415		STUD, WHEEL HUB	
16	301014		HUB, REAR WHEEL	
17	300411		NUT, WHEEL LUG	
18	400224		NUT, HEX SLOTTED, 1 1/4 - 18 x .62	
19	304763		TIRE AND RIM ASSEMBLY	
20	300470		BEARING, TAPERED ROLLER CUP	
21	300471		BEARING, TAPERED ROLLER CONE	
22	400083		JAM NUT, LOCK HALF HEIGHT, 1 1/4 - 12	
23	302122		KEY, HYDRAULIC MOTOR, 4000 SERIES	
24	400169		FITTING, SWIVEL	
25	400167		FITTING, WHEEL MOTOR	
26	301834		FITTING, WHEEL MOTOR	
27	302949		SEAL KIT, SWIVEL FTG. (NOT SHOWN)	



STEERING FORK AND DRIVE TIRE

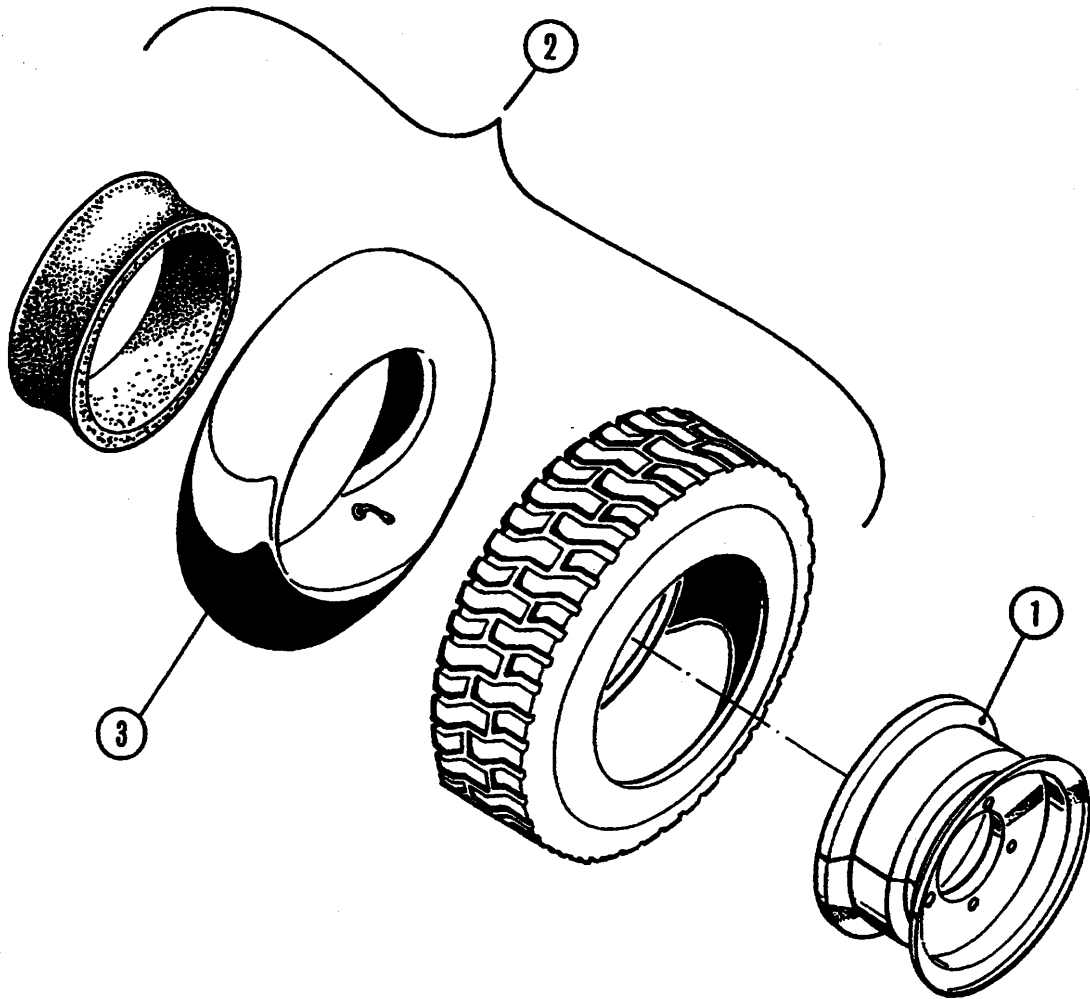




STEERING FORK AND DRIVE TIRE

REF#	90 SER	80 SER	DESCRIPTION	QUANTITY
1	300208		ASSY - STEERING FORK PNTD	1
	316128		PAD - PRELOAD (install between fork mnt & frame)	1
2	300153		ASSY - FORK PIVOT PLT PNTD	1
3	400188		NUT - HEX JAM 1/2-20 ES ZP	1
4	300466		BALL JOINT - STEERING	1
5	303205		ASSY - STEERING LINK PNTD	1
6	316059		STUD - WHEEL HUB REAR	5
	316057		NUT - WHEEL LUG	5
7	316056		HUB - REAL WHEEL FULL PNTD	1
	316330		ASSY - TIRE & RIM 6" PRESS-ON	1
8	316320		RIM - SCRUBBER PRESSON 6" TSS90	1
9	316321		TIRE - SCRUBBER PRESS-ON 6"	1
10	300471		BEARING - TAPERED ROLCONE W/SEAL	1
11	400083		NUT - HEX JAM 1-1/4-12 ES ZP	1
12	300470		BEARING - TAPERED ROL CUP	1
13	302122		KEY - MOTOR 4000 SERIES (comes w/motor)	1
14	301533		MOTOR - HYD 4000 SERIES PNTD	1
15	400212		FTG - ADAPTER 7/16-20 TO #4	1
16	301834		FTG - SPECIAL WHEEL MOTOR FS PLTD	1
17	400169		FTG - SWIVEL 3/4-16 TO #8	2
18	400167		FTG - ADAPTER 1-1/6-12 EXT TO 3/4-16 INT	1
19	302156		ASSY - STEERING STOP FS	1
20	300472		BRG - THRUST 5.612 ID X 7.0 OD	1

TIRE ASSEMBLY - MICHELIN

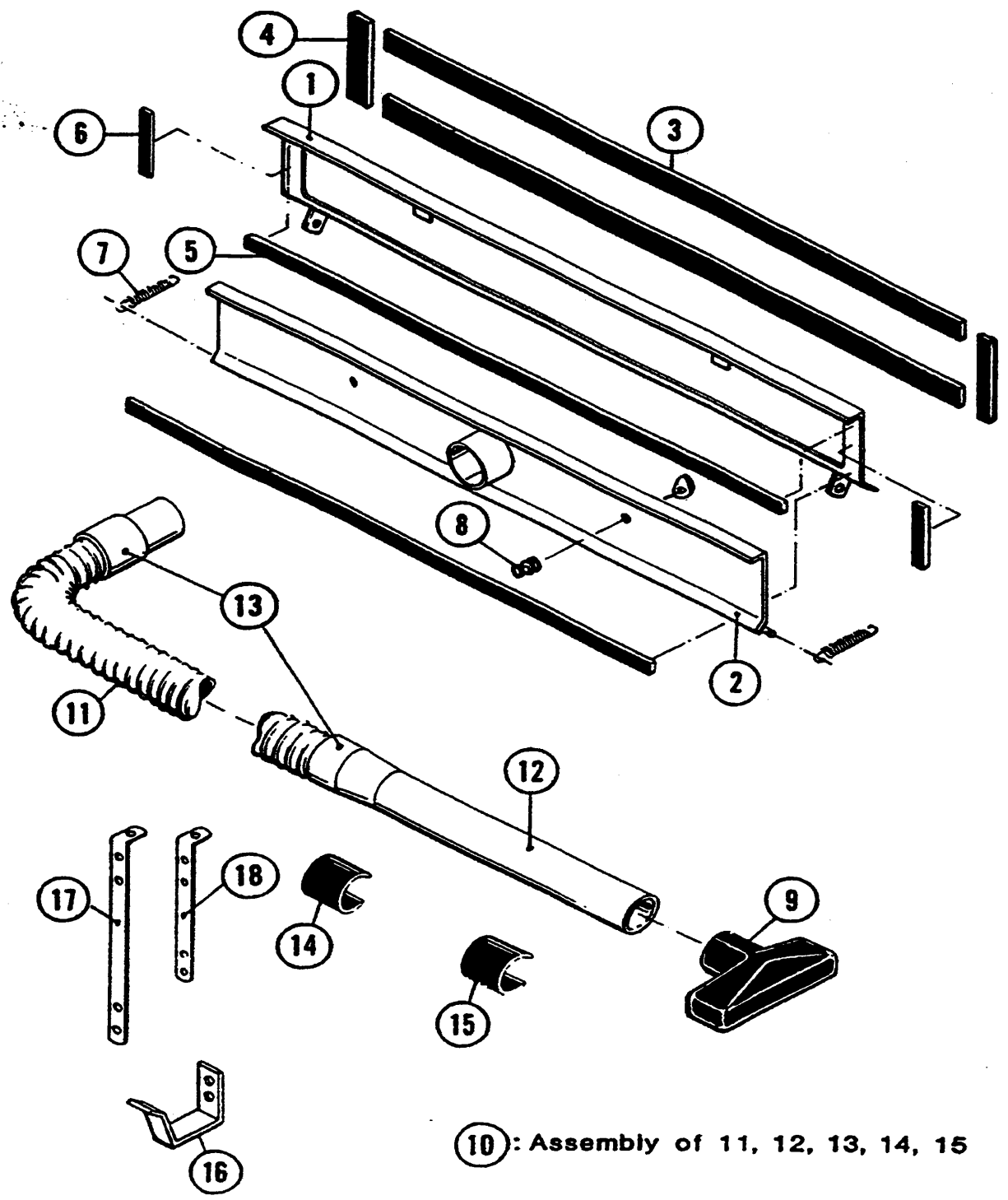




TIRE ASSEMBLY - MICHELIN

REF#	90 SER	80 SER	DESCRIPTION	QUANTITY
1	302734		RIM, RADIAL TIRE	
2	302735		TIRE ASSEMBLY, MICHELIN RADIAL	
3	302736		TUBE, TIRE MICHELIN (SP)	

VACUUM WAND



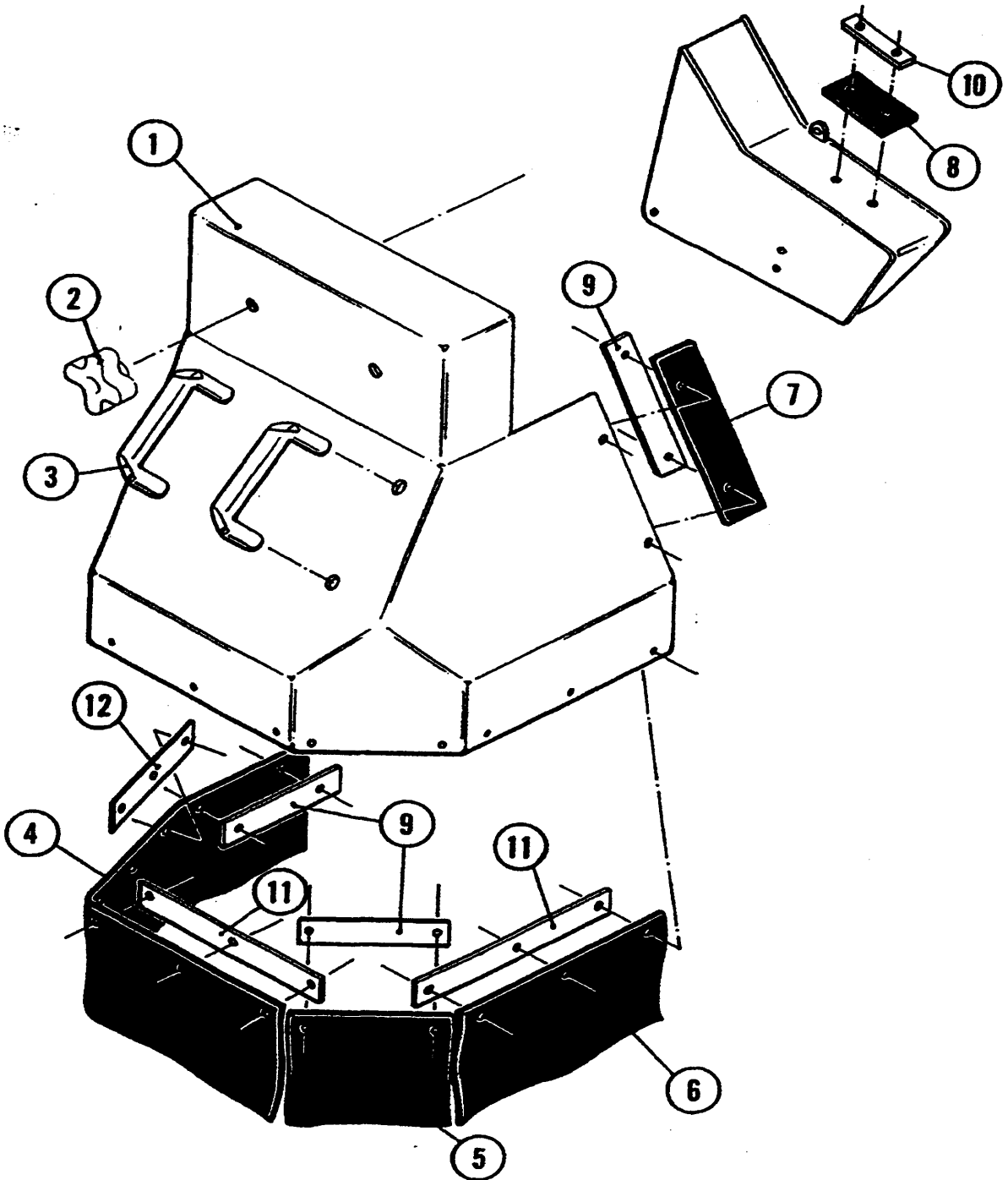
10: Assembly of 11, 12, 13, 14, 15



VACUUM WAND

REF#	90 SER	80 SER	DESCRIPTION	QUANTITY
1	302309	302418	MOUNT ASSEMBLY, VACUUM WAND	
2	302305	302416	DOOR ASSEMBLY, VACUUM WAND	
3	302449	302450	GASKET, VACUUM WAND	
4	303139		GASKET, VACUUM WAND, SHORT	
5	302316	302415	GASKET, DOOR, VACUUM WAND, LONG	
6	302315		GASKET, DOOR, VACUUM WAND, SHORT	
7	302448		SPRING, VACUUM WAND	
8	302324		LATCH, VACUUM WAND	
9	303139		NOZZLE, VACUUM WAND	
10	302336	302451	WAND ASSEMBLY, VACUUM	
11	302334	302329	HOSE, 2 1/2" I.D. TUFF-LITE	
12	302335		PIPE, 2" DIA. PVC	
13	302203		CUFF, 2 1/2" I.D. TUFF-LITE	
14	302332		SHEET, ANTI-SLIP PAD, LARGE	
15	302333		SHEET, ANTI-SLIP PAD, SHORT	
16	302314		BRACKET, HOSE RETAINER	
17	303433		BAR, HOSE RETAINER, LONG	
18	303434		BAR, HOSE RETAINER, SHORT	

VACUUMIZED CURB BROOM

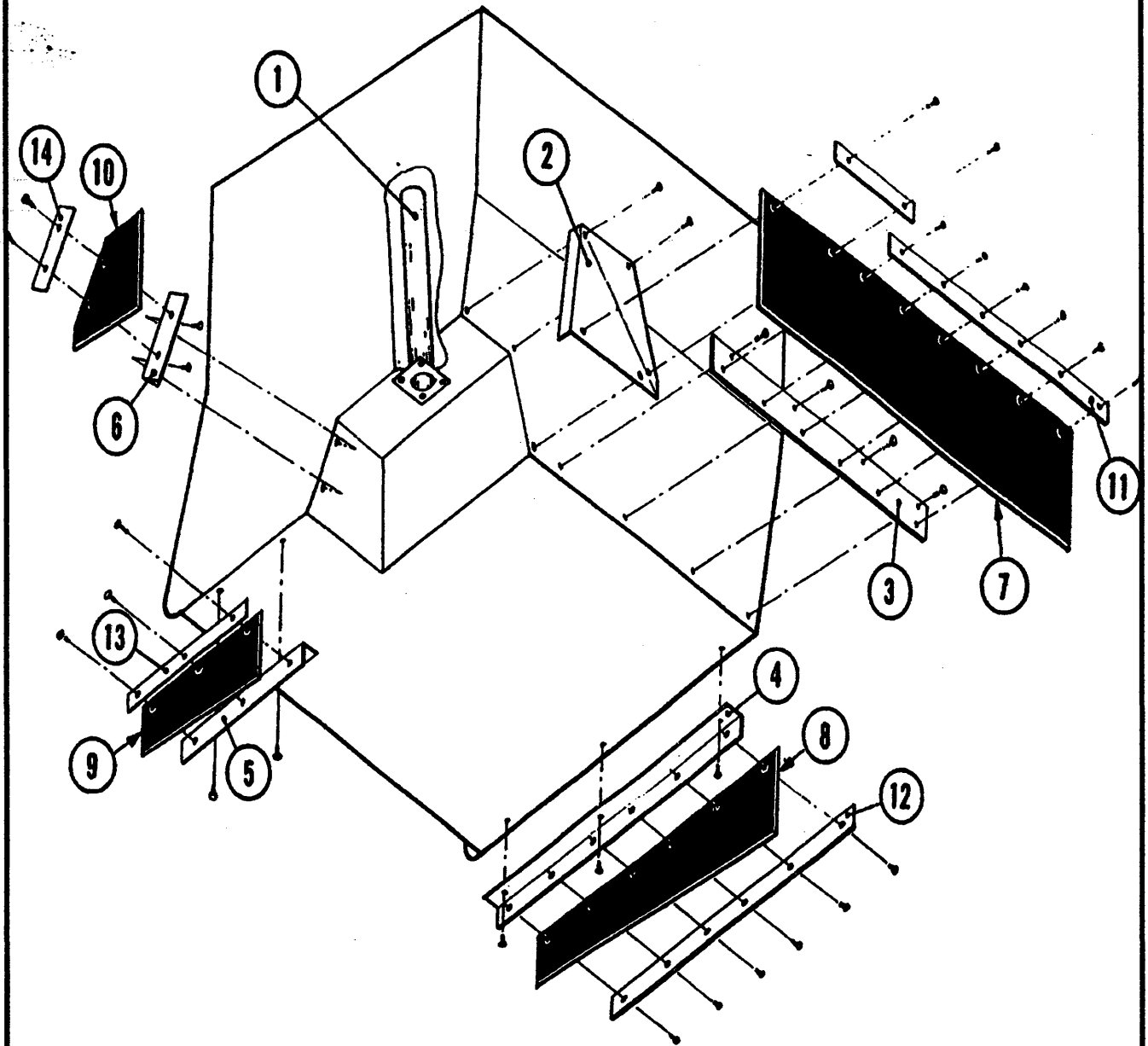




VACUUMIZED CURB BROOM

REF#	90 SER	80 SER	DESCRIPTION	QUANTITY
1	303260		HOOD ASSEMBLY	
2	303179		KNOB, ALUMINUM HAND	
3	301297		HANDLES, PLASTIC	
4	303281		FLAP	
5	303283		FLAP, FRONT CORNER	
6	303282		FLAP, FRONT	
7	303284		FLAP, FRONT	
8	303285		FLAP, ARM (HD)	
	303286		FLAP, ARM (LD)	
9	303277		STRAP	
10	303290		STRAP, ARM FLAP SPT (LOW DUMP ONLY)	
	303277		STRAP, HOOD (HIGH DUMP ONLY)	
11	303275		STRAP, FRONT & SIDE	
12	303276		STRAP, BACK CORNER	

VACUUMIZED CURB BROOM (CONT.)

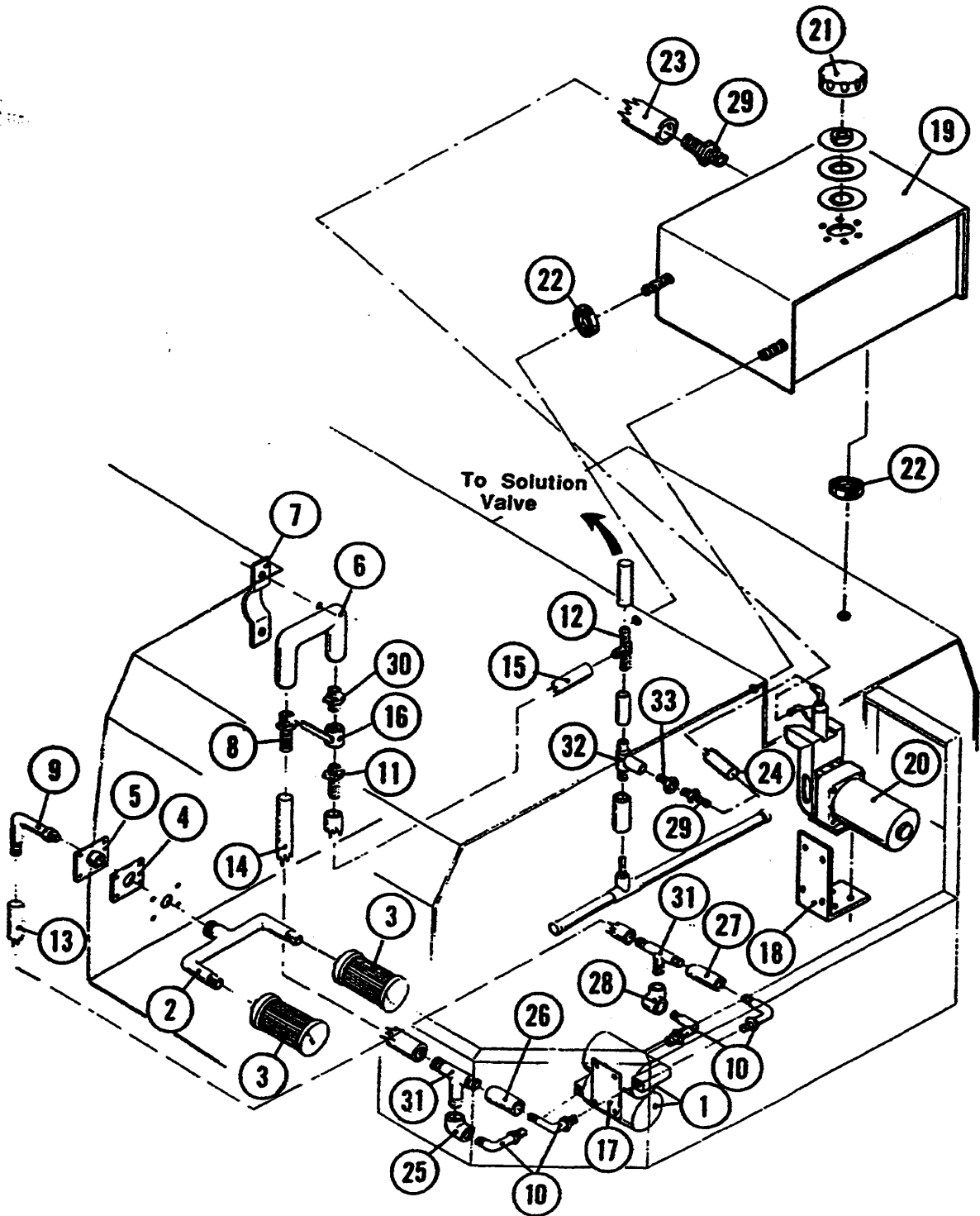




VACUUMIZED CURB BROOM (CONT.)

REF#	90 SER	80 SER	DESCRIPTION	QUANTITY
1	303265		TUBE ASSEMBLY, HOPPER	
2	303268		PLATE, FRONT	
3	303269	303287	BAR, FRONT	
4	303271		BAR, LEFT SIDE	
5	303311		BAR, RIGHT SIDE (NEW)	
	303270		BAR, RIGHT SIDE (OLD)	
6	303566		BAR, CUT-OUT	
7	303278		FLAP, FRONT	
8	303279		FLAP, LEFT SIDE	
9	303313		FLAP, RIGHT SIDE (NEW)	
	303280		FLAP, RIGHT SIDE (OLD)	
10	303567		FLAP, CUT-OUT	
11	303272		STRAP, FRONT & LEFT SIDE	
		303288	STRAP, FRONT	
12	303272		STRAP, FRONT & LEFT SIDE	
13	303312		STRAP, RIGHT SIDE (NEW)	
	303274		STRAP, RIGHT SIDE (OLD)	
14	303273		STRAP, FRONT	

WATER RECYCLING SYSTEM



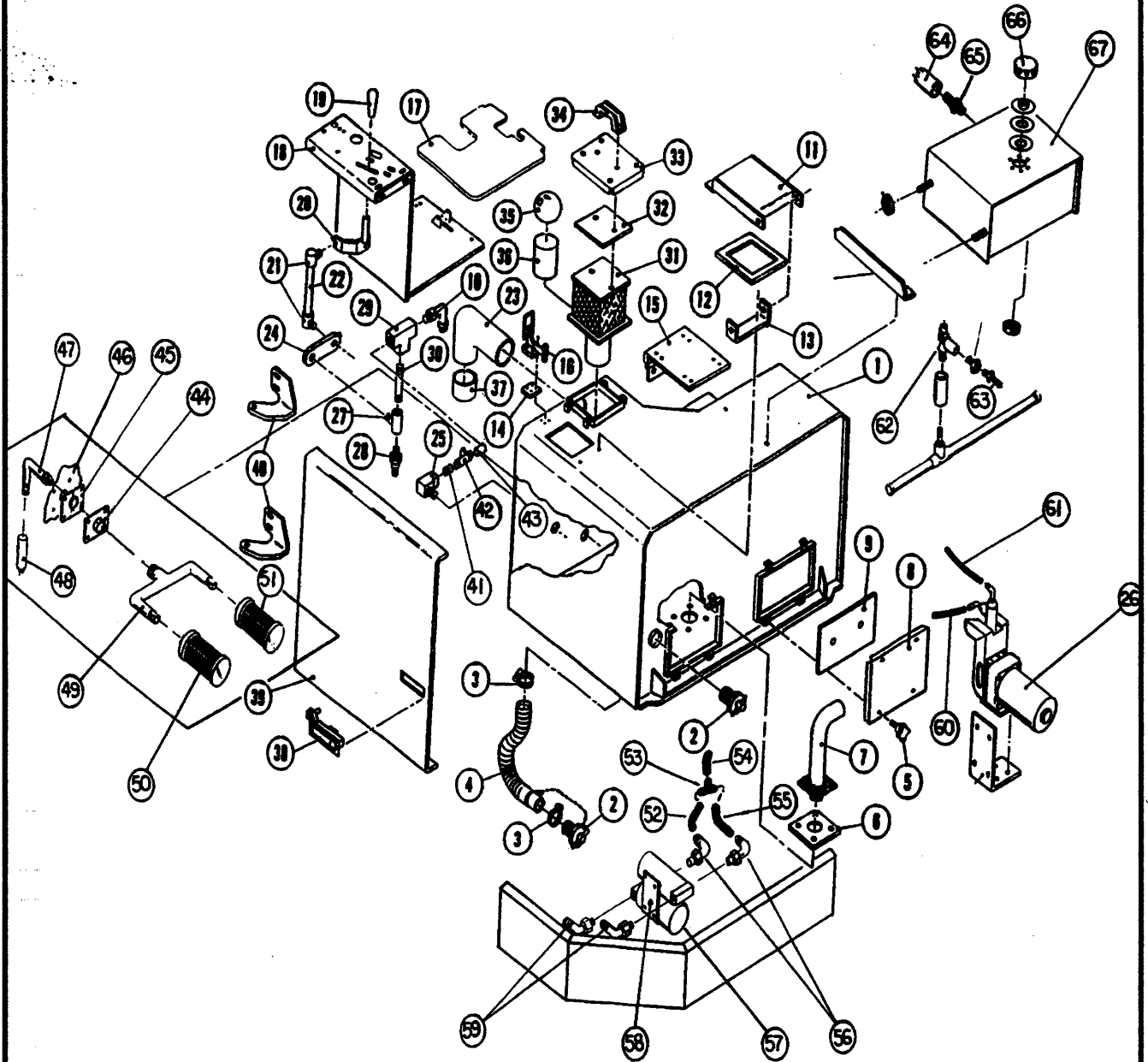


WATER RECYCLING SYSTEM

REF#	90 SER	80 SER	DESCRIPTION	QUANTITY
1	302243		PUMP, SOLUTION	
2	302725		MANIFOLD ASSEMBLY	
3	300360		STRAINER, HYDRAULIC RESERVOIR	
4	302962		GASKET, TAP	
5	302963		TAP ASSEMBLY	
6	302960		LOOP ASSEMBLY	
7	302951		CLAMP, TUBE, 1 1/2	
8	302952		FITTING, ADAPTER 3/4 x 5/8	
9	302718		FITTING, 3/4 x 5/8 90 DEG. THD	
10	302719		FITTING, 3/8 x 5/8 90 DEG. THD	
11	300802		ADAPTER, MALE, 3/4 x 3/4	
12	302950		FITTING, 3/4 TEE HOSE BARB	
13	303331		HOSE, SOLUTION DELIVERY	
14	303332		RETURN, SOLUTION	
15	302964		HOSE, DELIVERY	
16	300330		VALVE, TWO-WAY BALL	
17	303191		MOUNT ASSEMBLY, PUMP	
18	303194		PLATE, PUMP	
19	303213		TANK ASSEMBLY, SOAP SOLUTION	
20	303001		PUMP, METERING, BELLOWS TYPE	
21	303310		CAP ASSEMBLY, FILLER	
22	302482		BUMPER, SEAT MOUNT	
23	303333		HOSE, DELIVERY SOAP TANK	
24	303334		HOSE, SOLUTION PUMP	
25	303335		HOSE, DELIVERY	
26	303336		HOSE, DELIVERY	
27	303351		HOSE, DELIVERY PUMP	
28	303352		HOSE, DELIVERY PUMP	
29	400261		FITTING, 1/4 NPT x 5/16 HOSE BARB	
30	301480		FITTING, NIPPLE 3/4 NPT BRASS	
31	303353		FITTING 5/8 BARB TEE	
32	303354		FITTING, 3/4 x 3/4 x 1/2 BRANCH TEE	
33	303355		FITTING, REDUCER 1/2 NPT x 1/4 NPT	



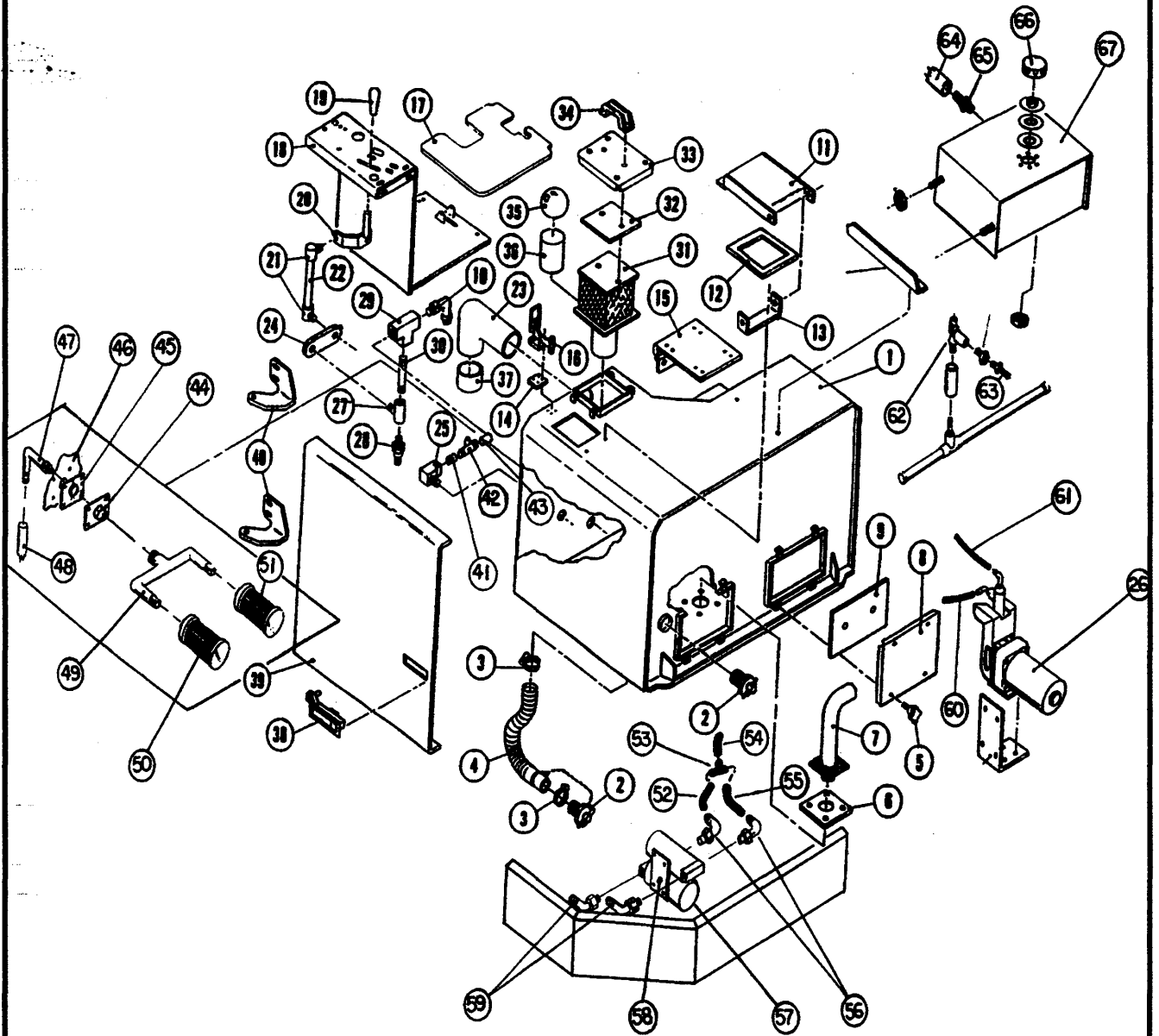
WATER RECYCLING SYSTEM (REVISED)



WATER RECYCLING SYSTEM (REVISED)

REF#	PART#	DESCRIPTION	QUANTITY
	320806	Water Recycling Option (90HC)	1
Above sub-assembly contains the following items.			
Please refer to High Capacity Tank Group for all other part numbers.			
26	303001	PUMP - METERING BELLOWS TYPE	1
44	302964	HOSE - DELIVERY ES OPTION	1
45	302963	ASSY - TAP ES OPT	1
47	302718	FTG - HOSE BARB 90 EL 3/4 X 5/8	1
48	303331	HOSE - SOL DELIVERY SRS	1
49	306245	Sub ASSY - MANIFOLD ES OPTION NEW	1
	301479	CEMENT - PVC ALL PURPOSE	5
	302719	FTG - 3/4" 90 EL SOCKET PVC	2
	302714	FTG - 3/4" TEE SOCKET PVC	1
	302723	TUBE - MANIFOLD ES OPT	1
	302724	TUBE - MANIFOLD ES OPT	4
	306244	FTG - 3/4" FEMALE CONN SOC PVC	2
56	302719	FTG - HOSE BARB 90 EL 3/8 X 5/8	2
57	302243	PUMP - SOLUTION ES OPT	2
58	303191	ASSY - SRS/ES PUMP MOUNT PNTD	1
59	302719	FTG - HOSE BARB 90 EL 3/8 X 5/8	2
62	303354	FTG - 3/4 X 3/4 X 1/2 BRANCH TEE	1
63	400261	FTG - HOSE BARB 1/4 MPT TO 3/8	1
64	303333	HOSE - DELIVERY SOAP TANK	1
65	400261	FTG - HOSE BARB 1/4 MPT TO 3/8	1
66	303310	ASSY - FILTER BREATHER SOAP TANK	1
67	303213	ASSY - SOAP SOL TANK PNTD	1
	303073	KNOB - ROTARY SWITCH 3-SPEED	1
	302482	(under 303213) BUMPER - SEAT MOUNT	4
	303358	CLAMP - HOSE 9/16 NOM	12
	302951	CLAMP - TUBE 1-1/2 DIA	1
	302717	FTG - 3/4 MALE SOCKET PVC	1
	302950	FTG - 3/4 TEE PLASTIC HOSE BARB	1
	303353	FTG - 5/8 BARB TEE	2
	303388	FTG - ADAPTER 3/4 MPT TO 3/4 HB	1
	302952	FTG - ADAPTER 3/4 X 5/8 HOSE BARB	1
	301480	FTG - NIPPLE 3/4 MPT BRASS	1
	400217	FTG - PIPE PLUG HEX SOC 1/2 MPT	1
	303355	(connects 303354) FTG - REDUCER 1/2 MPT X 1/4 FPT	1
	302962	GASKET - EXTENDED SOLUTION TAP	1
	303351	HOSE - 5/8 ID DELIVERY PUMP SRS	1
	303352	HOSE - 5/8 ID DELIVERY PUMP SRS	1
	303335	HOSE - 5/8 ID DELIVERY SRS	1
	303336	HOSE - 5/8 ID DELIVERY SRS	1
	303334	HOSE - SOL PUMP SRS	1

WATER RECYCLING SYSTEM (REVISED) (CONT.)



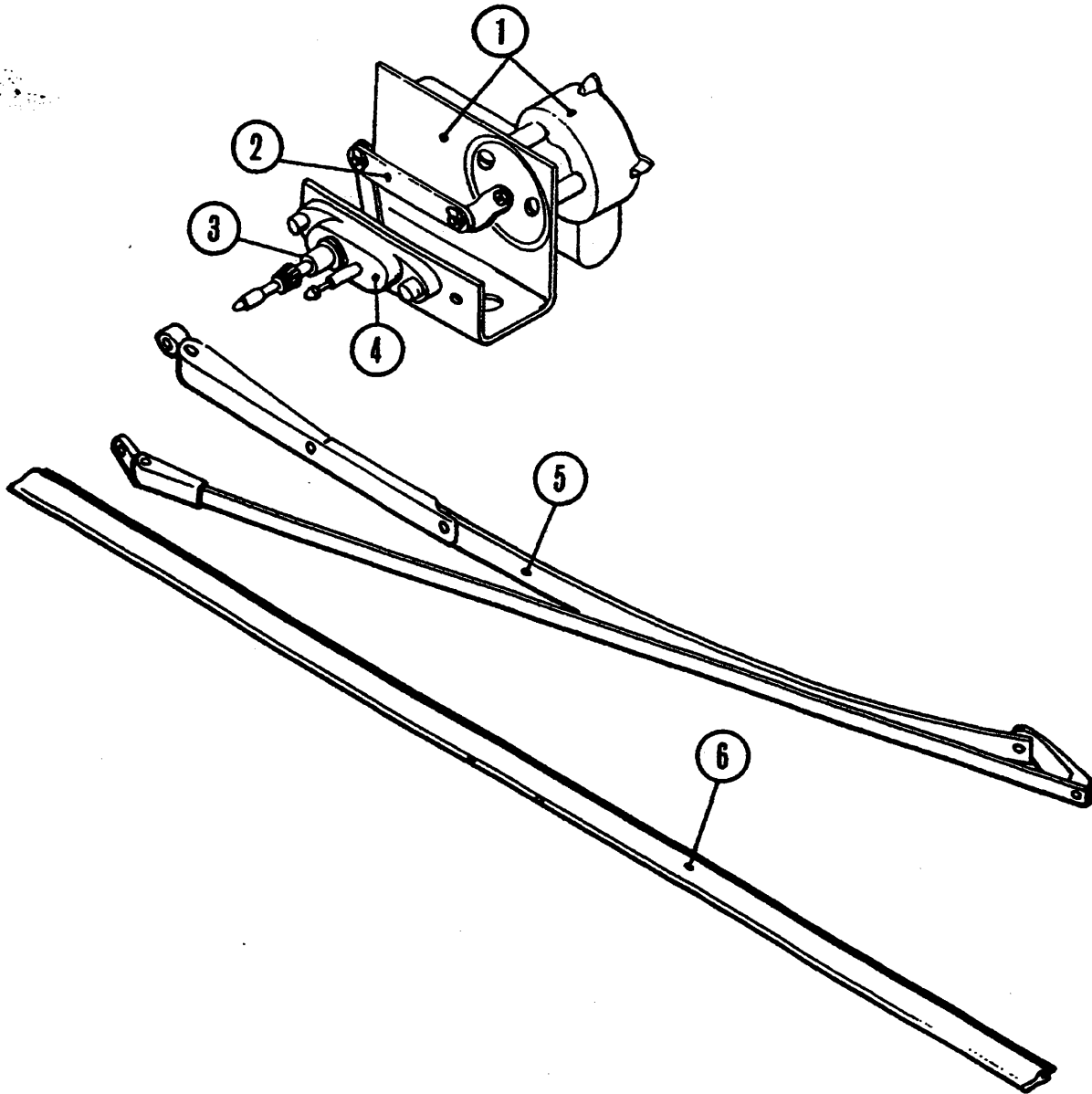


WATER RECYCLING SYSTEM (REVISED) (CONT.)

REF#	PART#	DESCRIPTION	QUANTITY
	303332	HOSE - SOL RETURN SRS	1
	304827	MNT - SOAP SOL TANK H-CAP PNTD	1
	400072	NUT - HEX #10-31 ZP	4
	400073	NUT - HEX #8-32 ZP	1
	400071	NUT - HEX 1/4-20 ZP	8
	400080	NUT - HEX 5/16-18 ES ZP ZP	2
	400070	NUT - HEX 5/16-18 ZP	2
	303194	PLATE - SRS PUMP MOUNT PNTD	1
	400315	SCREW - HEX #10-32 X .5 ZP	3
	400044	SCREW - HEX #10-32 X .75 ZP	10
	400042	SCREW - HEX 1/4-20 X .75 ZP	7
	400041	SCREW - HEX 1/4-20 X .88 ZP	1
	400045	SCREW - PAN #8-32 X .62, SLT ZP	1
	302248	SPACER - NYLON .5 OD .18 ID .18	1
	304798	STRAINER - SOLUTION HI-CAP TANK	2
	303072	SWITCH - 3 SPEED	1
	300442	SWITCH - ROCKER LIGHTS	2
	302462	TERMINAL - MALE SNAP PLUG	3
	303009	TERMINAL - RING 1/4	3
	300330	VALVE - 2 WAY SOLUTION	1
	400089	WASHER - FLAT 1/4 STANDARD ZP	4
	400088	WASHER - FLAT 5/16 STANDARD ZP	10
	400104	WASHER - LOCK #10 SPLIT ZP	13
	400103	WASHER - LOCK 1/4 SPLIT ZP	8
	400102	WASHER - LOCK 5/16 SPLIT ZP	2
	303356	WIRING HARNESS - 3 SPEED SWITCH	2
	302965	WIRING HARNESS - ES OPTION	2
	302966	WIRING HARNESS - ES OPTION	2
	302541	WIRING HARNESS - SC HD TSS HC	1
	303357	WIRING HARNESS - SRS OPTION	1
41	319510	FTG - NIPPLE 3/4 X 2.5 BRASS	1
42	317245	VALVE - CHECK SWING 3/4" BRASS	1
43	319510	FTG - NIPPLE 3/4 X 2.5 BRASS	1
46	304556	TANK ASSEMBLY - HIGH CAPACITY	1
50	304798	STRAINER - HYD RES HI-CAP TANK	1
51	304798	STRAINER - HYD RES HI-CAP TANK	1



WINDSHIELD WIPER



WINDSHIELD WIPER

REF#	90 SER	80 SER	DESCRIPTION	QUANTITY
1	303172		KIT, WIPER MOTOR	
2	303173		ARM, WIPER DRIVE	
3	303174		SHAFT, WIPER PIVOT	
4	303175		KIT, PANTOGRAPH ARM ADAPTER	
5	303176		ARM, WIPER FIXED LENGTH PANTOGRAPH	
6	303177		BLADE, WIPER FLAT	



EXCEPTION PARTS LIST (FOR 82 SERIES MODELS W/ PLASTIC TANKS)

<u>Description</u>	<u>PowerBoss Part Number</u>
Angle - Cover Floorboard PNTD (SP)	309092
Assy - Bumper Extension 82 PNTD	309010
Assy - Console 82 PNTD	309064
Assy - Lever Sol Control 82 PLTD	309054
Assy - Squeegee Guard 82 PNTD	309037
Assy - Tube Suction Tank 82	309030
Bar - Tie Down Rear 82 PNTD	309020
Cage - Ball Float 82	309038
Cap - Tank 6.00 dia.	309006
Cap - Tank 9.00 dia.	309009
Clamp - Hose 1.0" Snap Type	309074
Clamp - Tube 1-1/2 dia	302951
Cover - Top Door HC 82 PNTD	309032
Decal - "82"	309036
Edging - Floor Pan 82	309058
Edging - Top Cover 82	309055
Fitting - Adap	309040
Fitting - ELL 90 3/4 MPT X 3/4 Barb	309051
Fitting - Ell 90 Street 3/4	309061
Fitting - Hose Barb 3/4 MPT X 3/4 HB	309073
Fitting - Plug 3/4 MGHT	309060
Float - Sol Shutoff 82	309067
Gasket - Cap 6.00 dia 82	309070
Gasket - Cap 9.00 dia. 82	309069
Guard - LH Sol/Rec Tank 82 PNTD	309017
Guard - LH Squeegee 82 PNTD	309021
Guard - RH Sol/Rec Tank 82 PNTD	309018
Guard - RH Squeegee 82 PNTD	309019
Hinge - Seat Mount Univ 82 PNTD	309028
Hinge - Side Door 82 PNTD	309044
Hinge - Top Cover PNTD	309088
Hinge - Top Door HC 82	309025
Hose - Impeller 82	309034
Hose - Sol Valve to Filter 82	309078
Hose - Sol Valve to Sol Tank 82	309077
Hose Long - Sol Delivery 82	309057
Hose Short - Sol Delivery 82	309056
Mount - Exhaust 82 PNTD	309039

<u>Description</u>	<u>PowerBoss Part Number</u>
Mount - Filter Sol 82 PNTD	309075
Mount - Gas Spring 82 PNTD	309046
Mount - Gas Strut 82 PNTD	309048
Mount - Seat Universal 82 PNTD	309027
Mount - Solution Valve 82 PNTD	309076
Mount - Tank/Console 82 PNTD	309042
Mount - Valve Sol Filter 82 PNTD	309052
Nut - Hex Weld 1/2-13	309041
Panel - Side Door HC 82 PNTD	309033
Plate - Backing for 6" Cap Gasket	309099
Plate - Backing for 9" Cap Gasket	309098
Plate - Heat Shield 82 Power Steering	309083
Plate - Retainer Sol/Rec Tank PNTD	309024
Plate - Stop Door Side HC 82 PLTD	309026
Rod - Float Sol Shutoff 82	309068
Rod - Stem Float 82	309072
Screen - Sol Filter 82 (SP)	309071
Seal - Console 82	309059
Spacer - Hinge Side Door 82 PNTD	309045
Spacer - Hinge Top Door 82 PNTD	309047
Spacer - Mnt Tank 82 PNTD	309043
Stop - Top Cover 82 PNTD	309035
Strainer - Sol Filter 82 w/mtg tab	309062
Tank - Recovery 82 LP (Plastic)	309091
Tank - Recovery 82 (Plastic)	309002
Tank - Solution 82 LP (Plastic)	309090
Tank - Solution 82 (Plastic)	309001
Tube - Exhaust Tailpipe 82	309049
Tube - Suction Tank 82	309029
Valve - Float Sol Shutoff 82	309066
** Valve - 2-Way Solution	300330

*** There is a possibility that some units remain in the field with plastic valves instead of this brass valve. If your machine is one of these, there is a kit available that will allow you to change to this brass valve. It is PowerBoss part number 319324. Its description is: Kit/Field - Valve Brass 82. Contact your PowerBoss distributor.*

